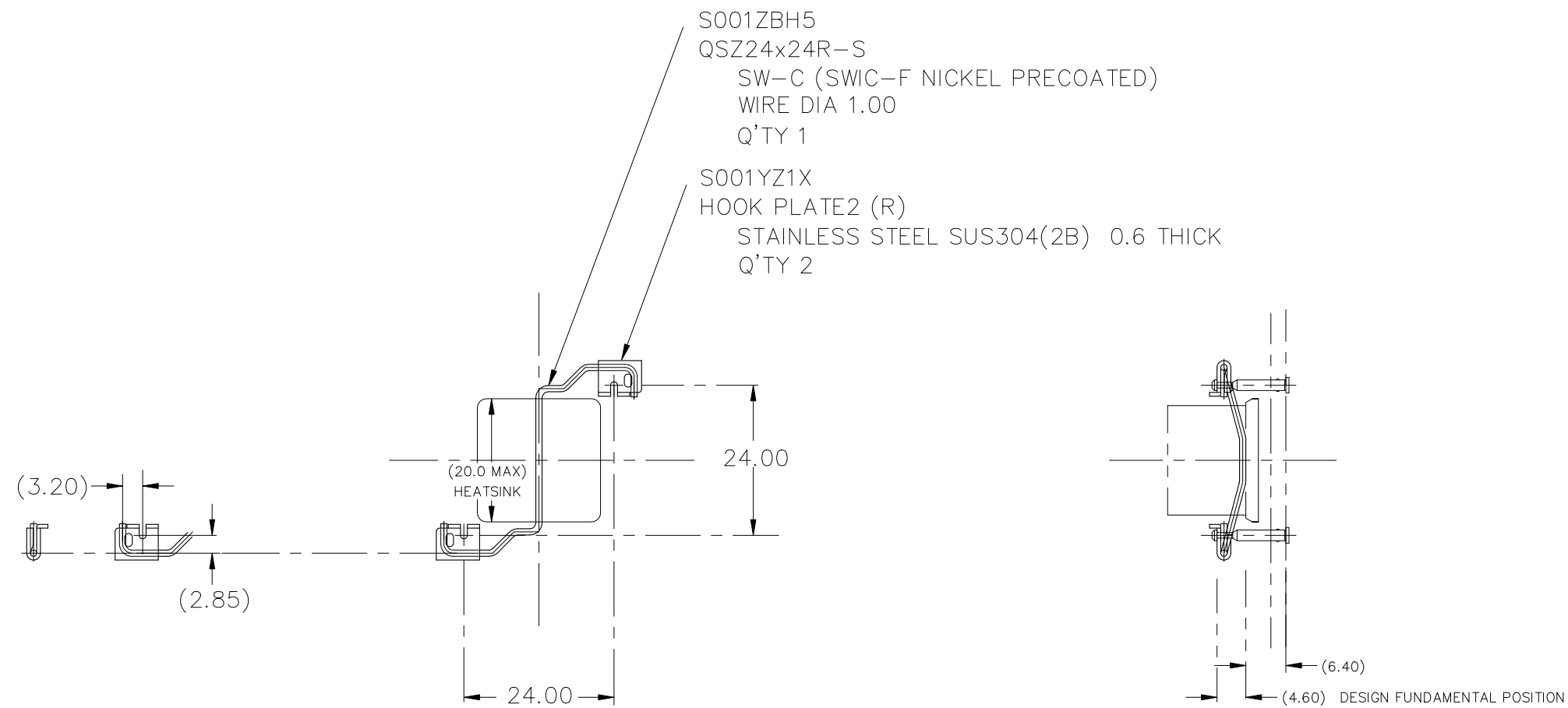


REVISIONS				
REV	DATE	DESCRIPTION	CHG	APPR
PRODUCTION RELEASE				



ANCHOR LAYOUT ON BOARD
 REQUIRES $\phi 1.80 \pm 0.05$ THRU HOLES
 FOR ANCHORS IN BOARD.

- NOTES: UNLESS OTHERWISE SPECIFIED
1. INTERPRET DIMENSIONS AND TOLERANCES PER ANSI Y14.5M
 2. ALL DIMENSIONS ARE IN MILLIMETERS.
 3. TOLERANCES :
 .XX ± 0.254
 .XXX ± 0.127
 ANGLES $\pm 3^\circ$

ITEM	PART NO.	PART NAME	REMARK	Q'TY
ALPHA CO.,LTD.			CSTM'R'S PART NO.	
		MATERIAL	NAME	QSZ24X24R
SCALE		APPR & CHCK	PART NO. & DWG NO.	REV
1 : 1		Y.SUZUKI	S001ZBH4	
DATE		DSGN & DWG	RDCTN:	LOFF:
APR 10 2018		Y.SUZUKI		