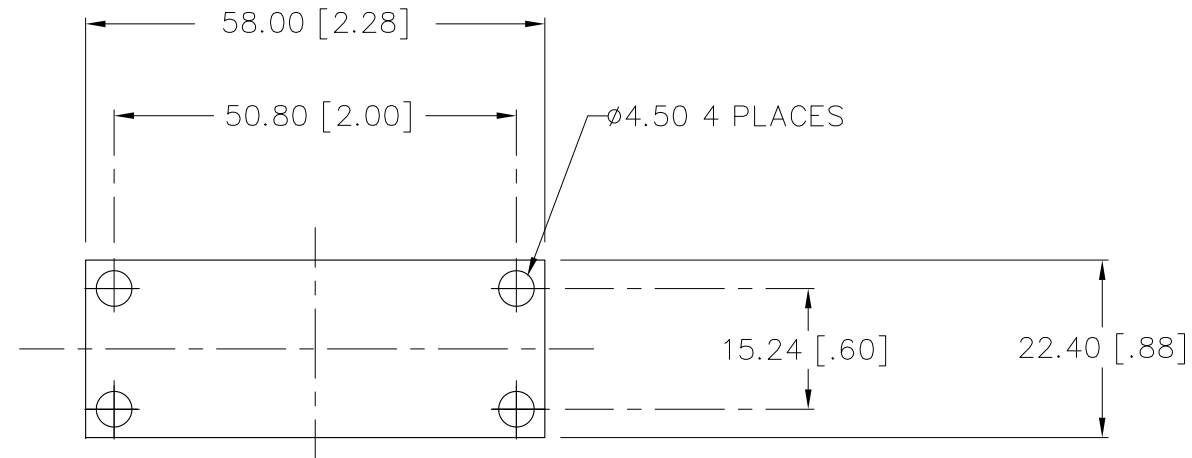


REVISIONS				
REV	DATE	DESCRIPTION	CHG	APPR
A	AUG 22 '12	CHG 4-CORNERS CUT TO HOLES LENGTH/WIDTH (WAS 57.00, 21.00).	Y. S.	Y. S.



NOTES : UNLESS OTHERWISE SPECIFIED

1. INTERPRET DIMENSIONS AND TOLERANCES PER ANSI Y14.5M

2. ALL DIMENSIONS ARE IN MILLIMETERS.

3. MATERIAL:

Laird Technologies T-pli210A1
0.25[.010"]THK.

WITH ACRYLIC PRESSURE SENSITIVE ADHESIVE(ONE SIDE)
SUPPLIED ON A REMOVABLE LINER SHEET.

4. TOLERANCES : ± 0.381 [± 0.015]

ITEM	PART NO.	PART NAME	REMARK	Q'TY
ALPHA CO.,LTD.			CSTM'R'S PART NO.	
		MATERIAL SEE NOTE 3	NAME T-PLI210-EB	
SCALE 1 : 1		APPR & CHCK Y.SUZUKI	PART NO. & DWG NO. S001ZOMZ	REV A
DATE JUL 13 2012		DSGN & DWG Y.SUZUKI	RDCTN:	LOFF: