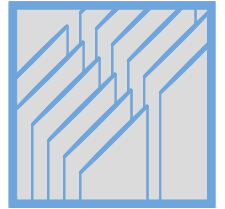


QuickSet Series

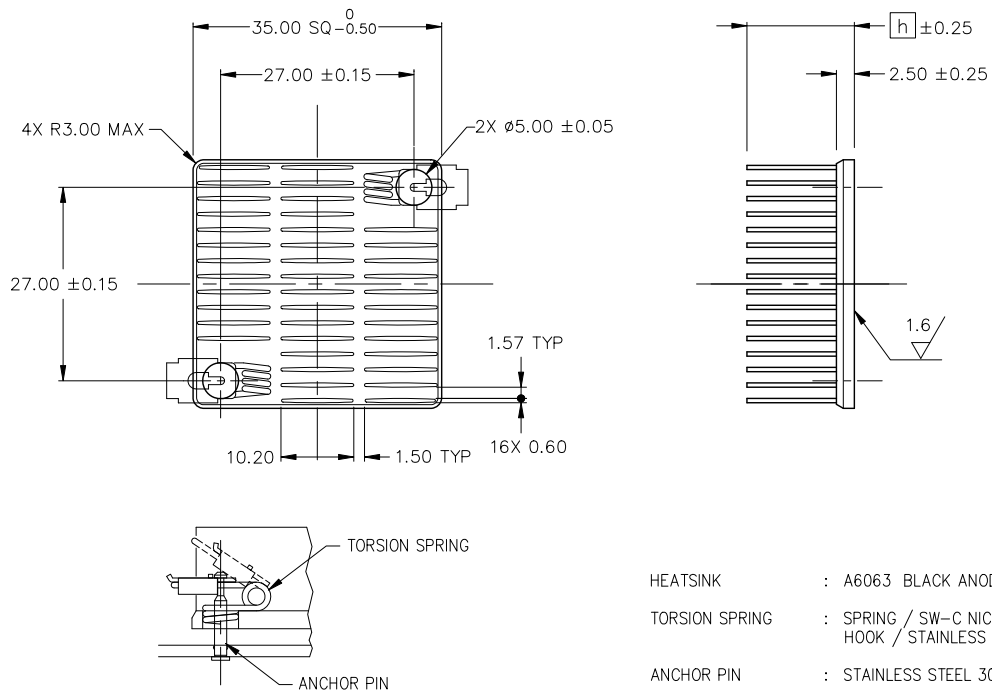
QTUM

QTUH

ALPHA



DIM



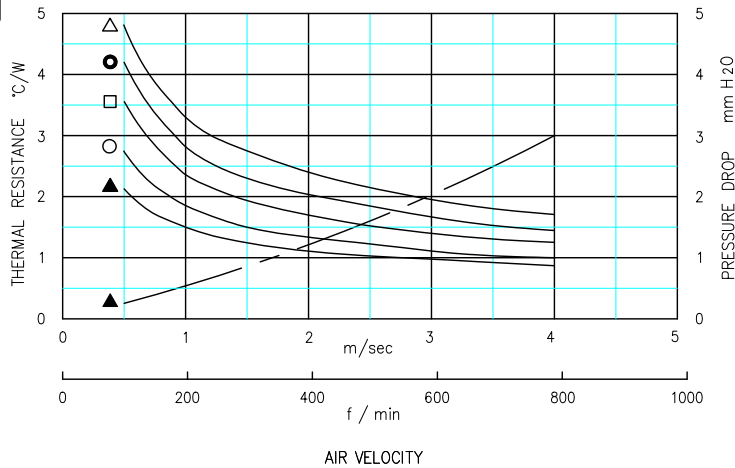
- HEATSINK : A6063 BLACK ANODIZE
- TORSION SPRING : SPRING / SW-C NICKEL PRECOATED HOOK / STAINLESS STEEL 304
- ANCHOR PIN : STAINLESS STEEL 303

BASIC HEATSINK MODEL	HEIGHT h	WEIGHT (grams)
QTUM35-10B	10	12.5
QTUM35-12B	12	13.6
QTUM35-15B	15	15.4
QTUM35-20B	20	18.3
QTUM35-25B	25	21.2

(SPRING, ANCHOR, TIM NOT INCLUDED)

DIMENSIONS : mm

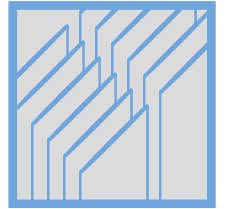
DATA



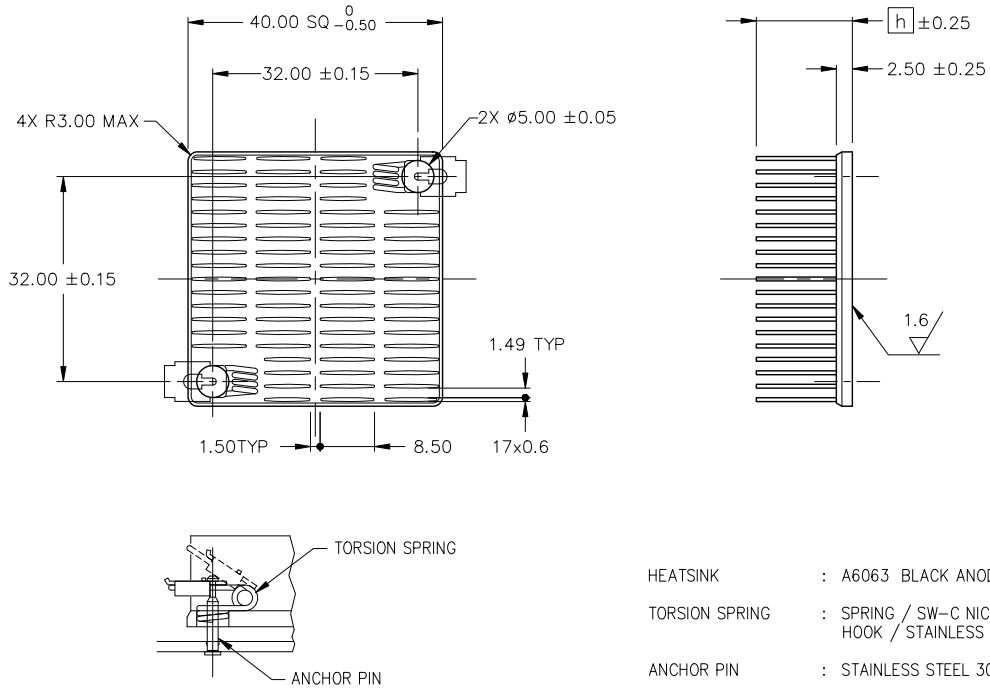
- △ QTUM35-10B
- QTUM35-12B
- QTUM35-15B
- QTUM35-20B
- ▲ QTUM35-25B

- DUCTED CONDITION
- DUMMY HEATER SIZE: 12.7 SQ
- THERMAL RESISTANCE (solid line)
- PRESURE DROP (dashed line)

■ BASED ON ALPHA'S STANDARD TEST PROCEDURE. REFER TO TECHNICAL INFORMATION.



DIM



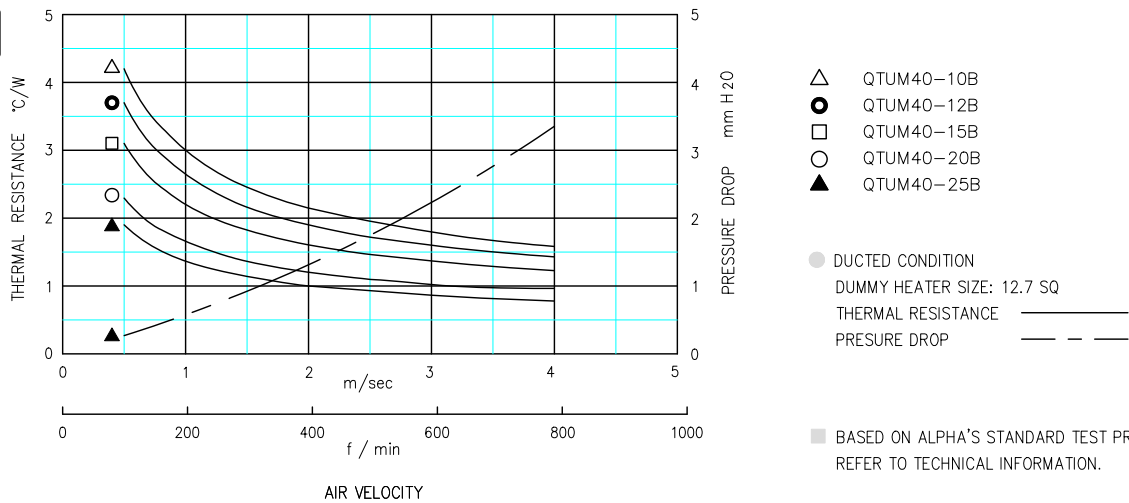
- HEATSINK : A6063 BLACK ANODIZE
- TORSION SPRING : SPRING / SW-C NICKEL PRECOATED HOOK / STAINLESS STEEL 304
- ANCHOR PIN : STAINLESS STEEL 303

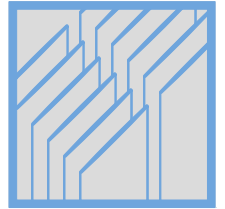
BASIC HEATSINK MODEL	HEIGHT h	WEIGHT (grams)
QTUM40-10B	10	16.6
QTUM40-12B	12	18.2
QTUM40-15B	15	20.6
QTUM40-20B	20	24.6
QTUM40-25B	25	28.6

(SPRING, ANCHOR, TIM NOT INCLUDED)

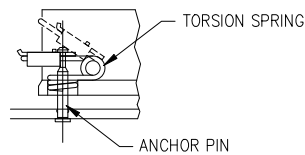
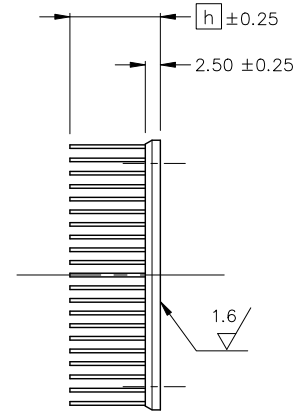
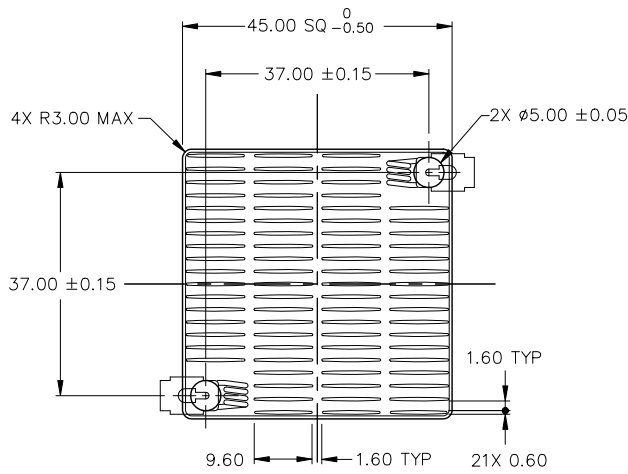
DIMENSIONS : mm

DATA





DIM



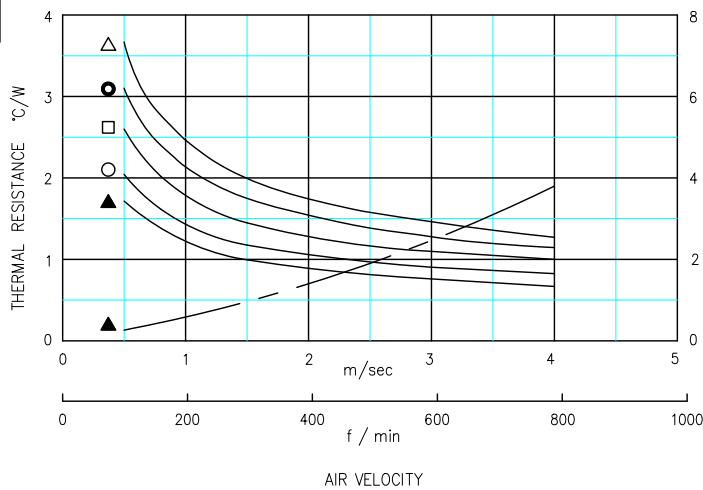
- HEATSINK : A6063 BLACK ANODIZE
- TORSION SPRING : SPRING / SW-C NICKEL PRECOATED HOOK / STAINLESS STEEL 304
- ANCHOR PIN : STAINLESS STEEL 303

BASIC HEATSINK MODEL	HEIGHT h	WEIGHT (grams)
QTUM45-10B	10	21.2
QTUM45-12B	12	23.2
QTUM45-15B	15	26.3
QTUM45-20B	20	31.4
QTUM45-25B	25	36.5

(SPRING, ANCHOR, TIM NOT INCLUDED)

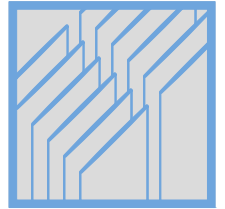
DIMENSIONS : mm

DATA

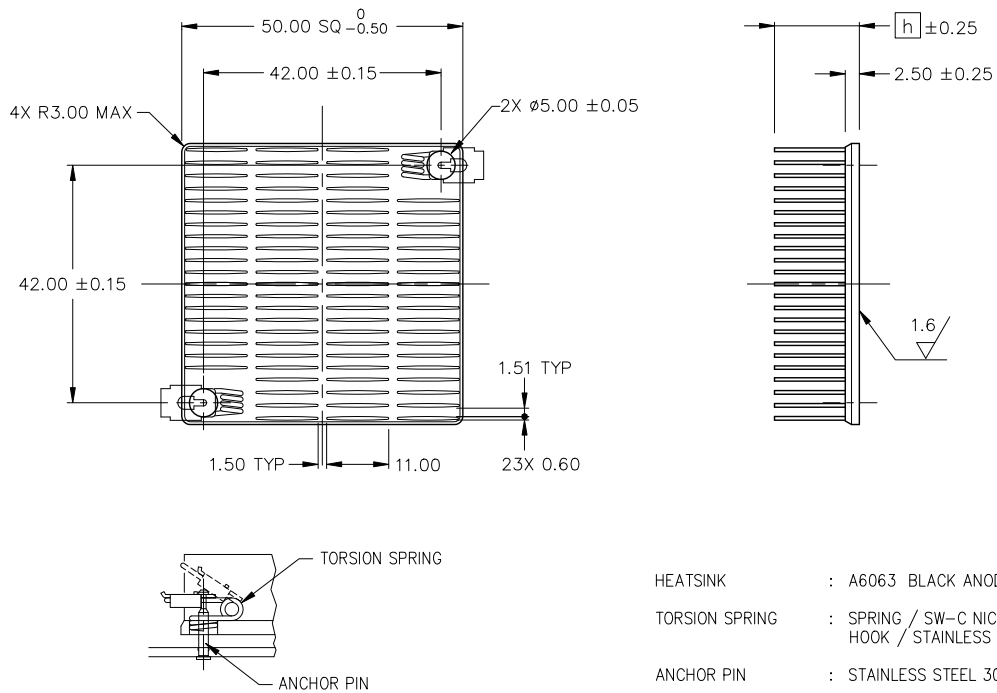


- △ QTUM45-10B
 - QTUM45-12B
 - QTUM45-15B
 - QTUM45-20B
 - ▲ QTUM45-25B
- DUCTED CONDITION
 DUMMY HEATER SIZE: 12.7 SQ
 THERMAL RESISTANCE ———
 PRESURE DROP - - -

■ BASED ON ALPHA'S STANDARD TEST PROCEDURE. REFER TO TECHNICAL INFORMATION.



DIM



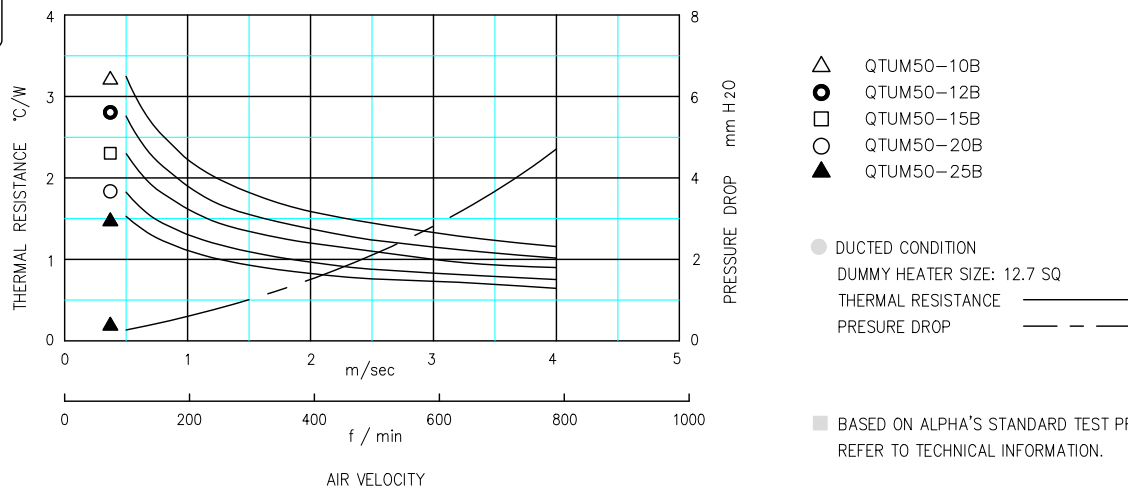
- HEATSINK : A6063 BLACK ANODIZE
- TORSION SPRING : SPRING / SW-C NICKEL PRECOATED HOOK / STAINLESS STEEL 304
- ANCHOR PIN : STAINLESS STEEL 303

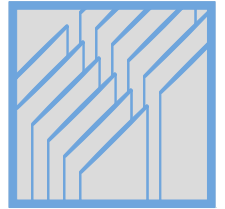
BASIC HEATSINK MODEL	HEIGHT h	WEIGHT (grams)
QTUM50-10B	10	27.5
QTUM50-12B	12	30.3
QTUM50-15B	15	34.7
QTUM50-20B	20	41.8
QTUM50-25B	25	49.0

(SPRING, ANCHOR, TIM NOT INCLUDED)

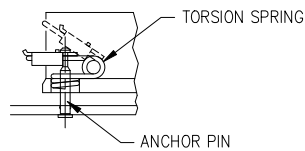
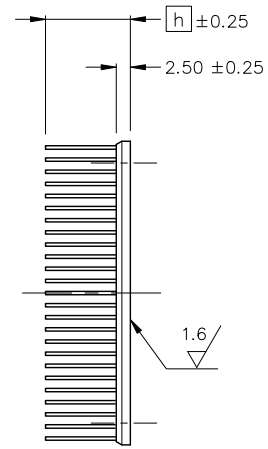
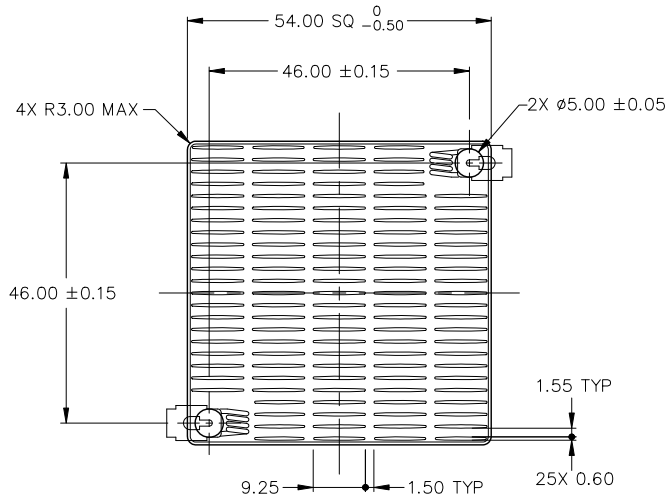
DIMENSIONS : mm

DATA





DIM



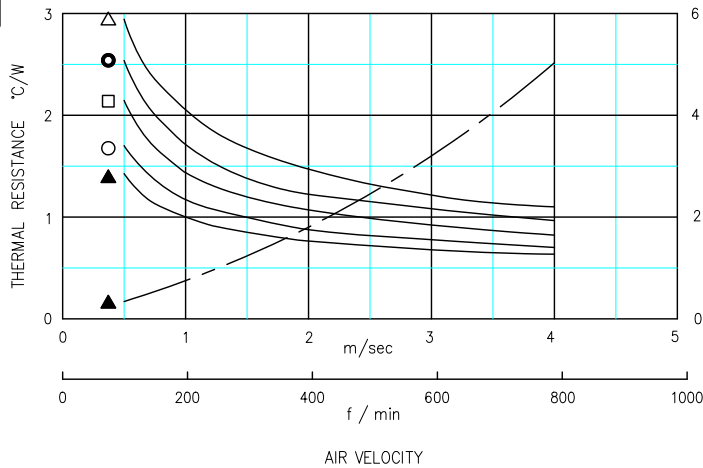
- HEATSINK : A6063 BLACK ANODIZE
- TORSION SPRING : SPRING / SW-C NICKEL PRECOATED HOOK / STAINLESS STEEL 304
- ANCHOR PIN : STAINLESS STEEL 303

BASIC HEATSINK MODEL	HEIGHT h	WEIGHT (grams)
QTUM54-10B	10	30.7
QTUM54-12B	12	33.6
QTUM54-15B	15	38.1
QTUM54-20B	20	45.6
QTUM54-25B	25	53.1

(SPRING, ANCHOR, TIM NOT INCLUDED)

DIMENSIONS : mm

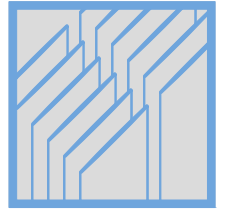
DATA



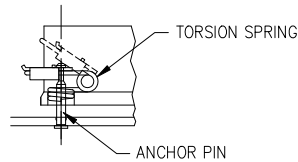
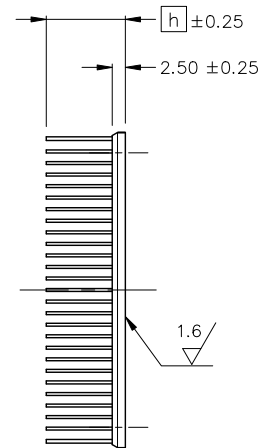
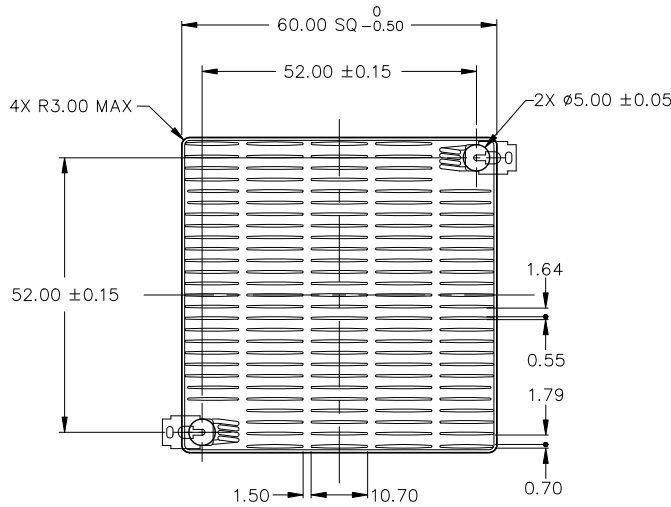
- △ QTUM54-10B
- QTUM54-12B
- QTUM54-15B
- QTUM54-20B
- ▲ QTUM54-25B

- DUCTED CONDITION
- DUMMY HEATER SIZE: 12.7 SQ
- THERMAL RESISTANCE ———
- PRESURE DROP - - - -

■ BASED ON ALPHA'S STANDARD TEST PROCEDURE. REFER TO TECHNICAL INFORMATION.



DIM



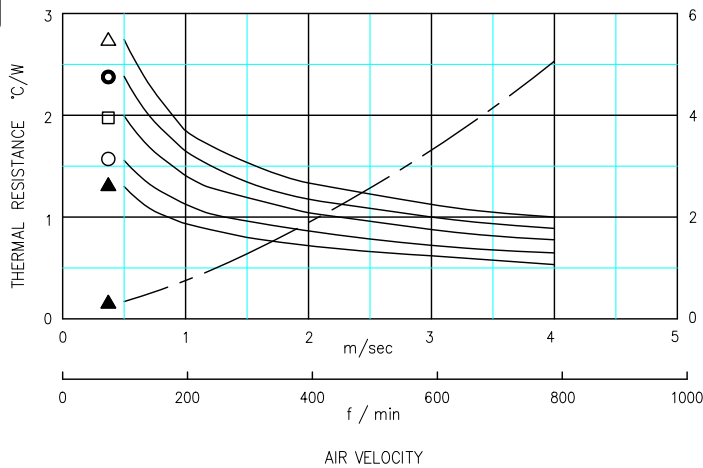
- HEATSINK : A6063 BLACK ANODIZE
- TORSION SPRING : SPRING / SW-C NICKEL PRECOATED HOOK / STAINLESS STEEL 304
- ANCHOR PIN : STAINLESS STEEL 303

BASIC HEATSINK MODEL	HEIGHT h	WEIGHT (grams)
QTUM60-10B	10	37.5
QTUM60-12B	12	41.0
QTUM60-15B	15	46.4
QTUM60-20B	20	55.4
QTUM60-25B	25	64.3

(SPRING, ANCHOR, TIM NOT INCLUDED)

DIMENSIONS : mm

DATA



- △ QTUM60-10B
- QTUM60-12B
- QTUM60-15B
- QTUM60-20B
- ▲ QTUM60-25B

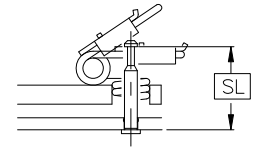
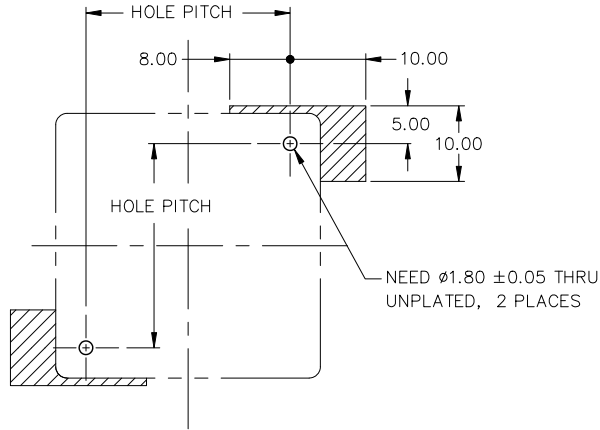
- DUCTED CONDITION
- DUMMY HEATER SIZE: 12.7 SQ
- THERMAL RESISTANCE ———
- PRESURE DROP - - - - -

■ BASED ON ALPHA'S STANDARD TEST PROCEDURE. REFER TO TECHNICAL INFORMATION.

REF



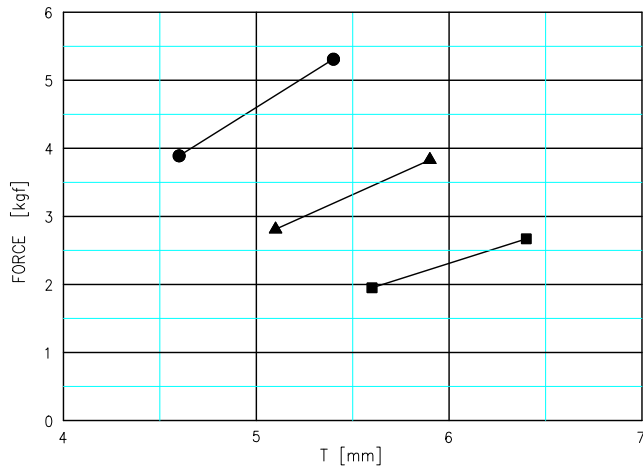
● PCB HOLE PATTERN, SUGGESTED KEEP-OUT AREA & ANCHOR PIN



ANCHOR PIN	LENGTH [SL]
ANCR-8	8.00
ANCR-9	9.00
ANCR-11	11.00
ANCR-12	12.00
ANCR-13	13.00
ANCR-16	16.00

DIMENSIONS : mm

● ATTACHMENT FORCE, TORSION SPRING AND ANCHOR PIN

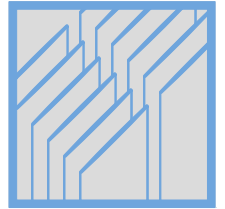


TORSION SPRING

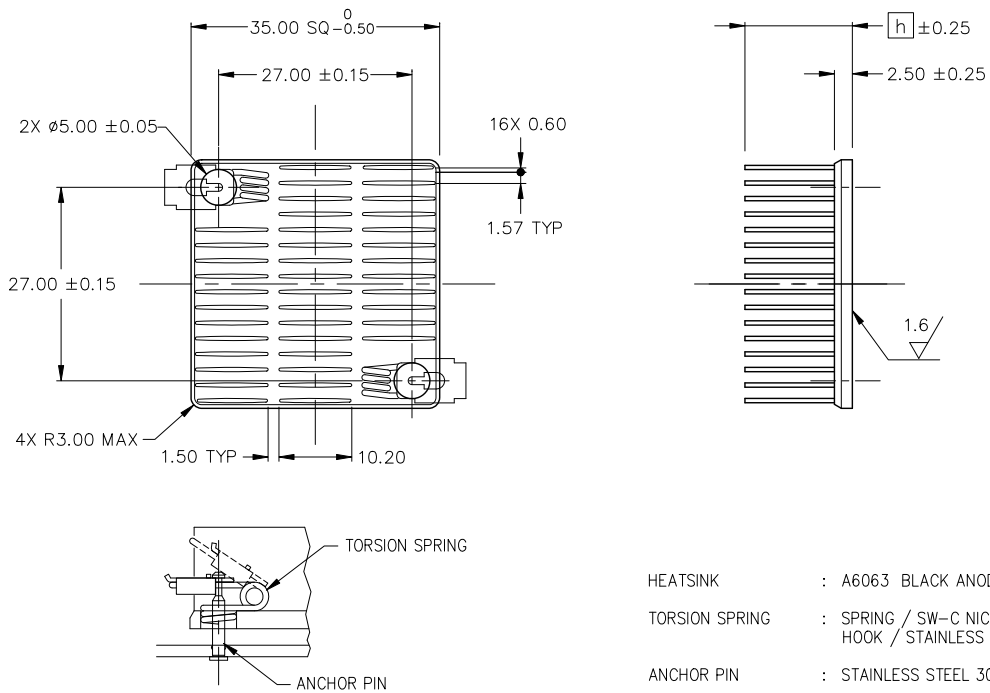
- S001YZ4M (SPRING WIRE DIA. 1.0)
- ▲ S001YZ4N (SPRING WIRE DIA. 0.9)
- S001YZ4J (SPRING WIRE DIA. 0.8)

$$T = \begin{matrix} \text{ANCR-8 : + 3.0} \\ \text{ANCR-9 : + 2.0} \\ \text{ANCR-11 : 0} \\ \text{ANCR-12 : - 1.0} \\ \text{ANCR-13 : - 2.0} \\ \text{ANCR-16 : - 5.0} \end{matrix} + \begin{matrix} \text{CHIP} \\ \text{HEIGHT} \end{matrix} + \begin{matrix} \text{HEATSINK} \\ \text{BASE} \\ \text{THICK} \end{matrix} + \begin{matrix} \text{PCB} \\ \text{THICK} \end{matrix}$$

- ANCOR PIN AND TORSION SPRING COMBINATIONS CAN BE SPECIFIED FOR EACH PARTICULAR PCB THICKNESS AND CHIP HEIGHT.
PLEASE VISIT OUR WEBSITE www.micforg.co.jp OR CONTACT ALPHA SALES.



DIM



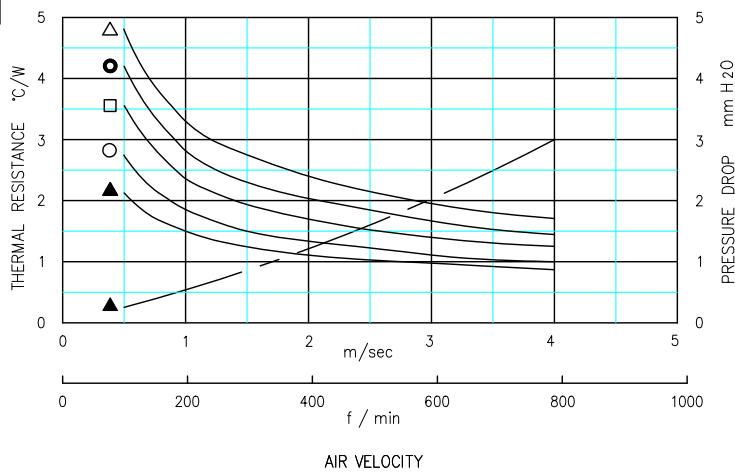
- HEATSINK : A6063 BLACK ANODIZE
- TORSION SPRING : SPRING / SW-C NICKEL PRECOATED HOOK / STAINLESS STEEL 304
- ANCHOR PIN : STAINLESS STEEL 303

BASIC HEATSINK MODEL	HEIGHT h	WEIGHT (grams)
QTUH35-10B	10	12.5
QTUH35-12B	12	13.6
QTUH35-15B	15	15.4
QTUH35-20B	20	18.3
QTUH35-25B	25	21.2

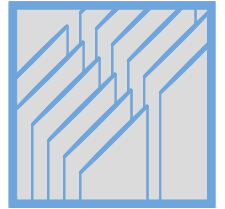
(SPRING, ANCHOR, TIM NOT INCLUDED)

DIMENSIONS : mm

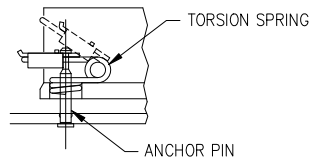
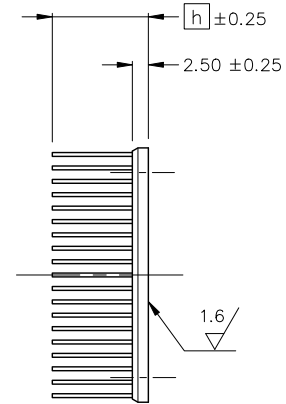
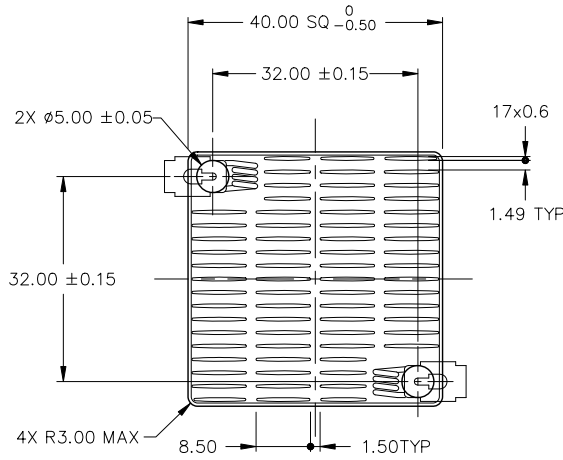
DATA



BASED ON ALPHA'S STANDARD TEST PROCEDURE. REFER TO TECHNICAL INFORMATION.



DIM



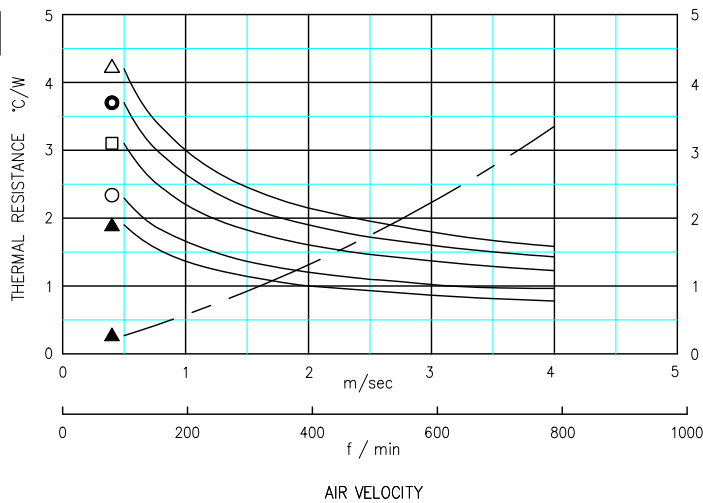
- HEATSINK : A6063 BLACK ANODIZE
- TORSION SPRING : SPRING / SW-C NICKEL PRECOATED HOOK / STAINLESS STEEL 304
- ANCHOR PIN : STAINLESS STEEL 303

BASIC HEATSINK MODEL	HEIGHT h	WEIGHT (grams)
QTUH40-10B	10	16.6
QTUH40-12B	12	18.2
QTUH40-15B	15	20.6
QTUH40-20B	20	24.6
QTUH40-25B	25	28.6

(SPRING, ANCHOR, TIM NOT INCLUDED)

DIMENSIONS : mm

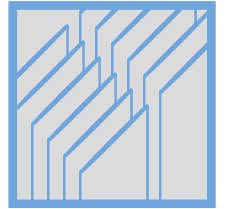
DATA



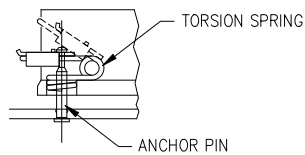
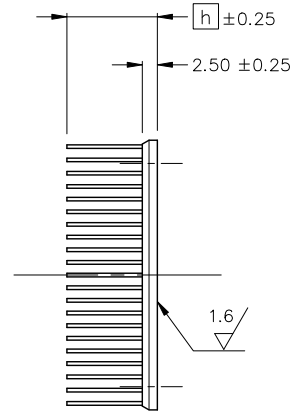
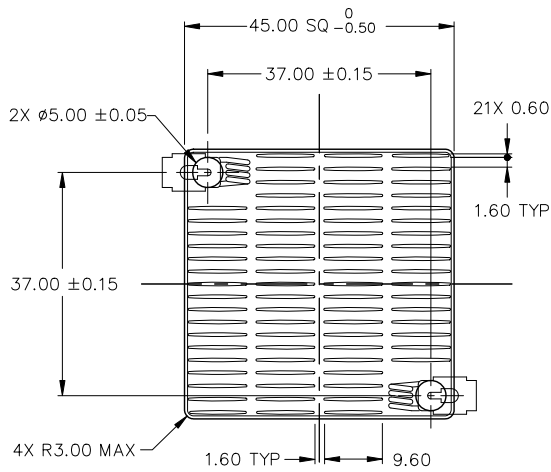
- △ QTUH40-10B
- QTUH40-12B
- QTUH40-15B
- ◇ QTUH40-20B
- ▲ QTUH40-25B

- DUCTED CONDITION
- DUMMY HEATER SIZE: 12.7 SQ
- THERMAL RESISTANCE ————
- PRESURE DROP - - - - -

■ BASED ON ALPHA'S STANDARD TEST PROCEDURE. REFER TO TECHNICAL INFORMATION.



DIM



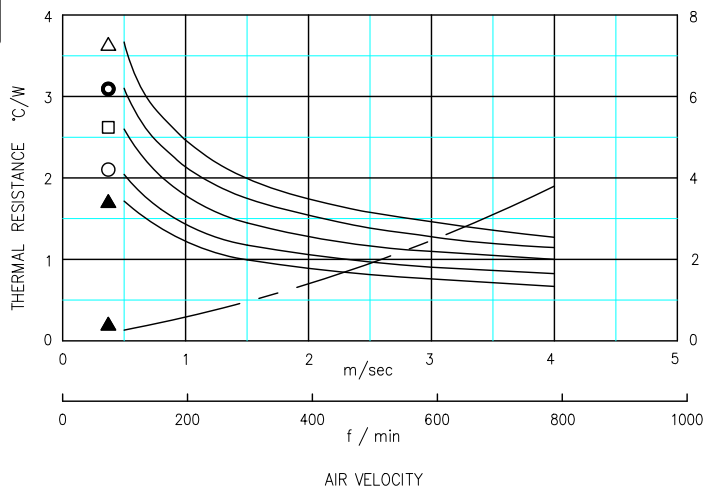
- HEATSINK : A6063 BLACK ANODIZE
- TORSION SPRING : SPRING / SW-C NICKEL PRECOATED HOOK / STAINLESS STEEL 304
- ANCHOR PIN : STAINLESS STEEL 303

BASIC HEATSINK MODEL	HEIGHT h	WEIGHT (grams)
QTUH45-10B	10	21.2
QTUH45-12B	12	23.2
QTUH45-15B	15	26.3
QTUH45-20B	20	31.4
QTUH45-25B	25	36.5

(SPRING, ANCHOR, TIM NOT INCLUDED)

DIMENSIONS : mm

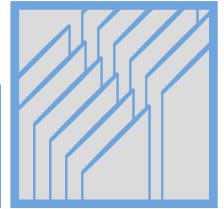
DATA



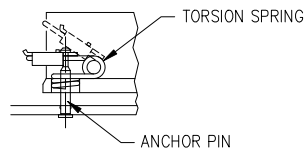
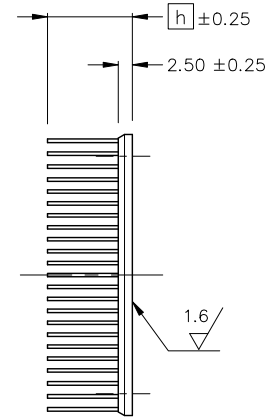
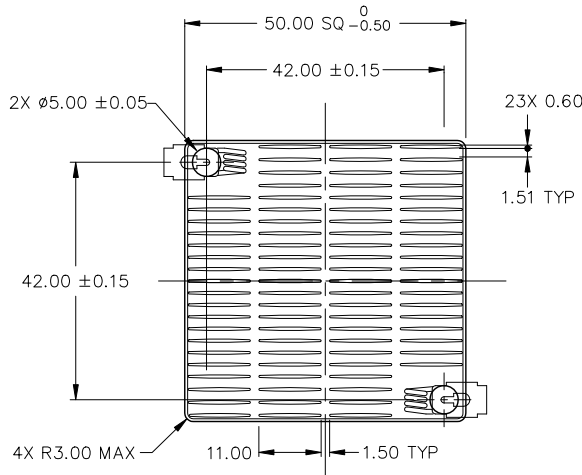
- △ QTUH45-10B
- QTUH45-12B
- QTUH45-15B
- QTUH45-20B
- ▲ QTUH45-25B

- DUCTED CONDITION
- DUMMY HEATER SIZE: 12.7 SQ
- THERMAL RESISTANCE ————
- PRESURE DROP - - - - -

■ BASED ON ALPHA'S STANDARD TEST PROCEDURE. REFER TO TECHNICAL INFORMATION.



DIM



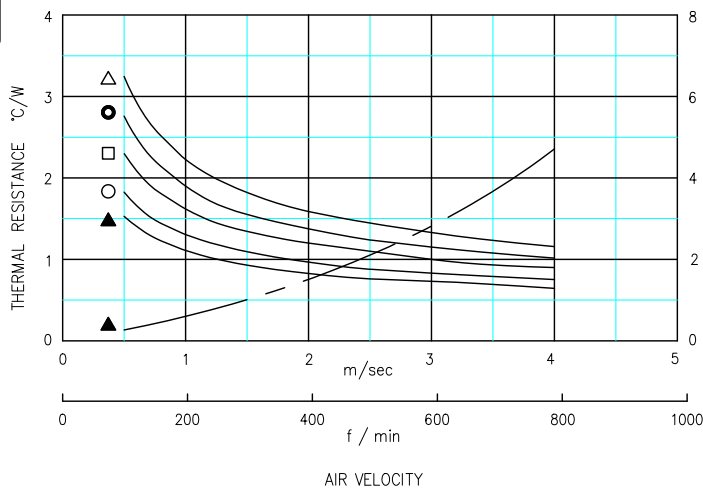
- HEATSINK : A6063 BLACK ANODIZE
- TORSION SPRING : SPRING / SW-C NICKEL PRECOATED HOOK / STAINLESS STEEL 304
- ANCHOR PIN : STAINLESS STEEL 303

BASIC HEATSINK MODEL	HEIGHT h	WEIGHT (grams)
QTUH50-10B	10	27.5
QTUH50-12B	12	30.3
QTUH50-15B	15	34.7
QTUH50-20B	20	41.8
QTUH50-25B	25	49.0

(SPRING, ANCHOR, TIM NOT INCLUDED)

DIMENSIONS : mm

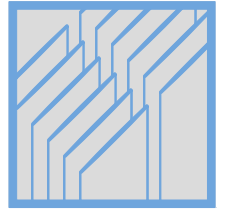
DATA



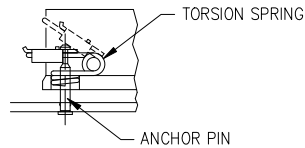
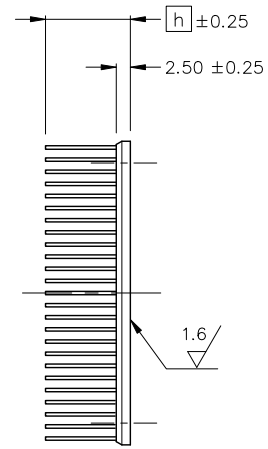
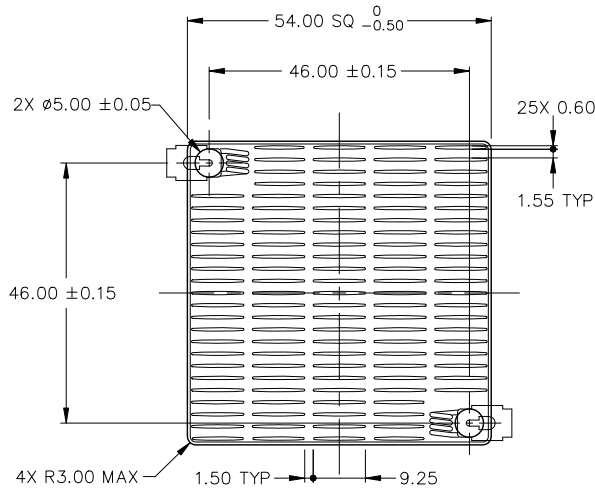
- △ QTUH50-10B
- QTUH50-12B
- QTUH50-15B
- QTUH50-20B
- ▲ QTUH50-25B

- DUCTED CONDITION
- DUMMY HEATER SIZE: 12.7 SQ
- THERMAL RESISTANCE ———
- PRESURE DROP - - -

■ BASED ON ALPHA'S STANDARD TEST PROCEDURE. REFER TO TECHNICAL INFORMATION.



DIM



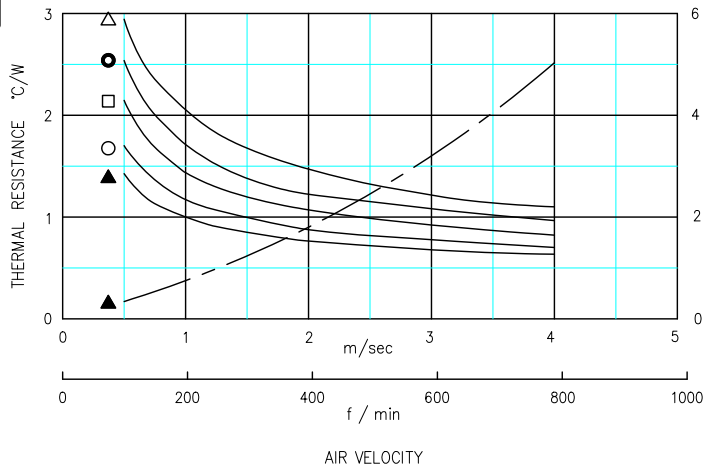
- HEATSINK : A6063 BLACK ANODIZE
- TORSION SPRING : SPRING / SW-C NICKEL PRECOATED HOOK / STAINLESS STEEL 304
- ANCHOR PIN : STAINLESS STEEL 303

BASIC HEATSINK MODEL	HEIGHT h	WEIGHT (grams)
QTUH54-10B	10	30.7
QTUH54-12B	12	33.6
QTUH54-15B	15	38.1
QTUH54-20B	20	45.6
QTUH54-25B	25	53.1

(SPRING, ANCHOR, TIM NOT INCLUDED)

DIMENSIONS : mm

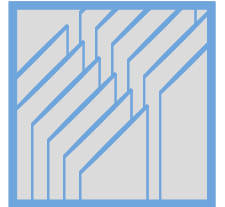
DATA



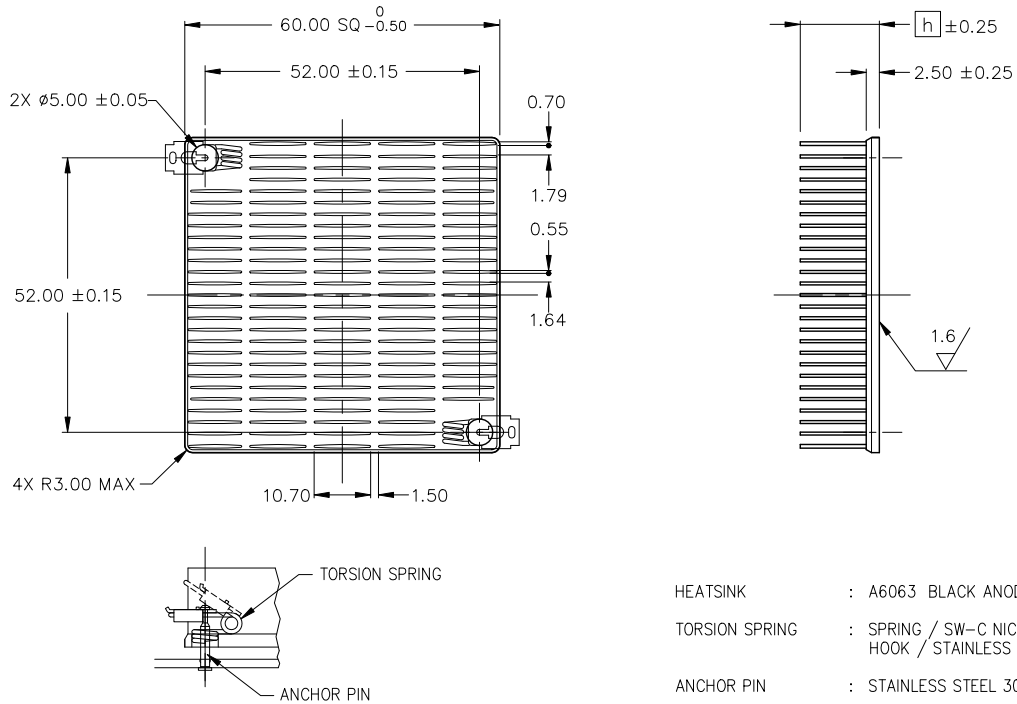
- △ QTUH54-10B
- QTUH54-12B
- QTUH54-15B
- ◇ QTUH54-20B
- ▲ QTUH54-25B

- DUCTED CONDITION
- DUMMY HEATER SIZE: 12.7 SQ
- THERMAL RESISTANCE ———
- PRESURE DROP - - - - -

■ BASED ON ALPHA'S STANDARD TEST PROCEDURE. REFER TO TECHNICAL INFORMATION.



DIM



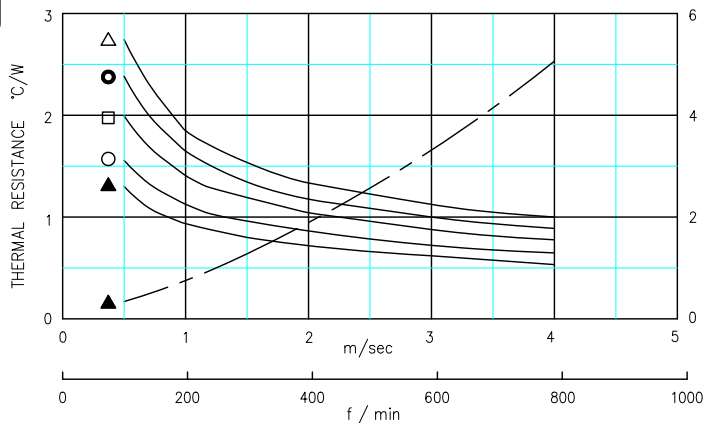
- HEATSINK : A6063 BLACK ANODIZE
- TORSION SPRING : SPRING / SW-C NICKEL PRECOATED HOOK / STAINLESS STEEL 304
- ANCHOR PIN : STAINLESS STEEL 303

BASIC HEATSINK MODEL	HEIGHT h	WEIGHT (grams)
QTUH60-10B	10	37.5
QTUH60-12B	12	41.0
QTUH60-15B	15	46.4
QTUH60-20B	20	55.4
QTUH60-25B	25	64.3

(SPRING, ANCHOR, TIM NOT INCLUDED)

DIMENSIONS : mm

DATA



- △ QTUH60-10B
- QTUH60-12B
- QTUH60-15B
- QTUH60-20B
- ▲ QTUH60-25B

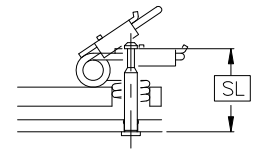
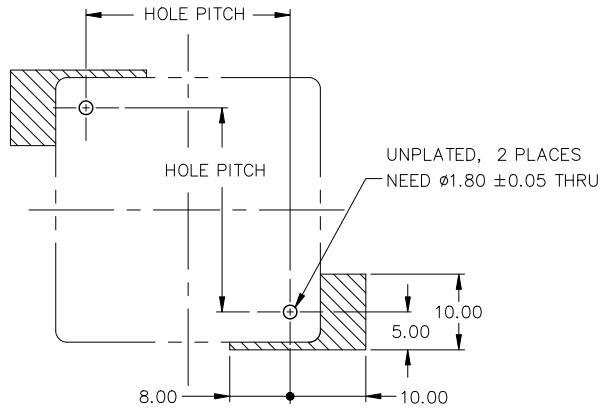
- DUCTED CONDITION
- DUMMY HEATER SIZE: 12.7 SQ
- THERMAL RESISTANCE ———
- PRESURE DROP - - - - -

■ BASED ON ALPHA'S STANDARD TEST PROCEDURE. REFER TO TECHNICAL INFORMATION.

REF



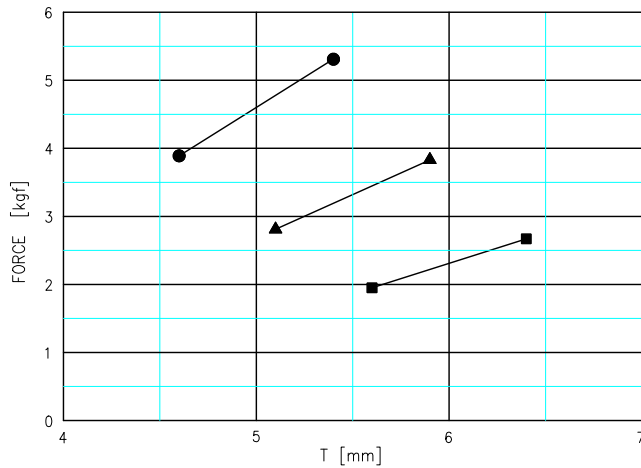
● PCB HOLE PATTERN, SUGGESTED KEEP-OUT AREA & ANCHOR PIN



ANCHOR PIN	LENGTH [SL]
ANCR-8	8.00
ANCR-9	9.00
ANCR-11	11.00
ANCR-12	12.00
ANCR-13	13.00
ANCR-16	16.00

DIMENSIONS : mm

● ATTACHMENT FORCE, TORSION SPRING AND ANCHOR PIN



TORSION SPRING

- S001YZ4M (SPRING WIRE DIA. 1.0)
- ▲ S001YZ4N (SPRING WIRE DIA. 0.9)
- S001YZ4J (SPRING WIRE DIA. 0.8)

$$T = \begin{matrix} \text{ANCR-8 : + 3.0} \\ \text{ANCR-9 : + 2.0} \\ \text{ANCR-11 : 0} \\ \text{ANCR-12 : - 1.0} \\ \text{ANCR-13 : - 2.0} \\ \text{ANCR-16 : - 5.0} \end{matrix} + \begin{matrix} \text{CHIP} \\ \text{HEIGHT} \end{matrix} + \begin{matrix} \text{HEATSINK} \\ \text{BASE} \\ \text{THICK} \end{matrix} + \begin{matrix} \text{PCB} \\ \text{THICK} \end{matrix}$$

- ANCOR PIN AND TORSION SPRING COMBINATIONS CAN BE SPECIFIED FOR EACH PARTICULAR PCB THICKNESS AND CHIP HEIGHT.
PLEASE VISIT OUR WEBSITE www.micforg.co.jp OR CONTACT ALPHA SALES.