

ALPHA

PAL8045 Installation Guide

Last revised : Dec. 2002
X001ZF0S-C

Model PAL8045

For Athlon, Duron, Athlon XP, Athlon MP

PAL8045 is installed using the four holes surrounding the processor socket. *PAL8045* may interfere with surface mount components on some motherboards.

Please verify that all parts are contained in the package per the following matrix.

PARTS	QTY	MODEL	
		PAL8045 T	PAL8045 U
HEAT SINK	1	○	○
INTAKE COVER	1	○	○
SCREW , M3 x 50 (to attach fan)	4	○	○
PLANE WASHER (to attach fan)	4	○	○
SCREW , 6-32UNC x 38.1	4	○	○
SPRING , OD 6 x 25.4	4	○	○
NYLON , FLAT WASHER	20	○	○
NYLON , SHOULDER WASHER	4	○	○
STANDOFF	4	○	○
NYLON , HEX NUT (WHITE)	4	○	○
FAN (80sq.) 80x25.4	1		○
THERMAL GREASE YG6260-5	1		○
METAL , HEX NUT (SILVER)	4	○	○

STEP 1 Uninstall MB.

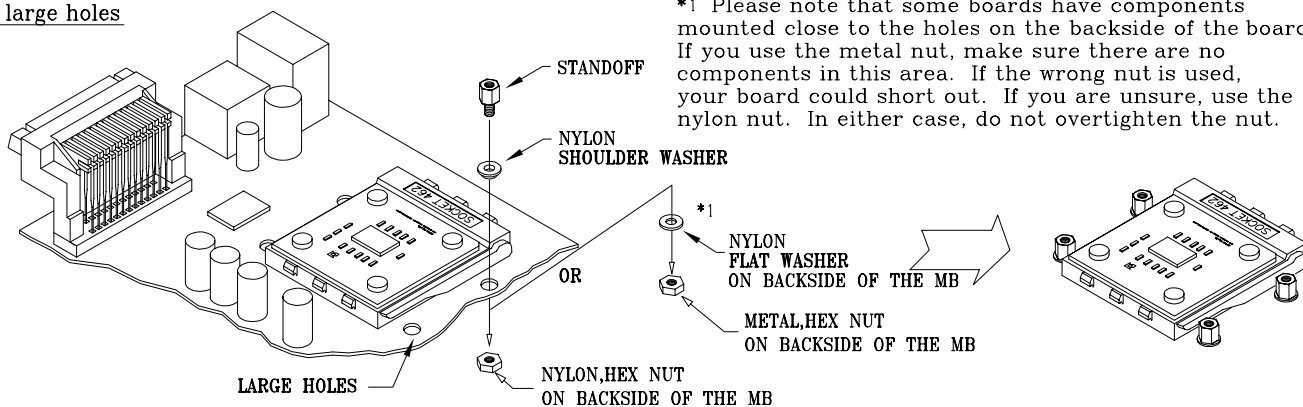
The MB must be uninstalled from the case prior to assembly of the PAL8045.

STEP 2 Install Standoffs in MB.

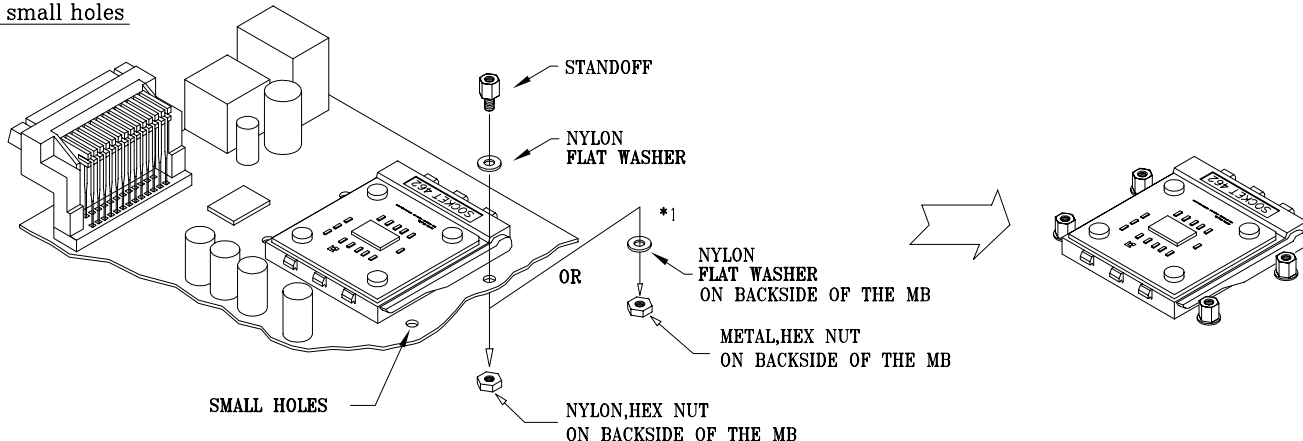
First, determine which type of standoff washer to use. If your MB has four large holes, diameter of 5.8mm, use the nylon shoulder washers. The bottom shank of the shoulder washer should fit into the four holes surrounding the processor socket. If your MB uses four small holes, diameter of 3.8mm, use the nylon flat washer. The bottom shank of the shoulder washer will not fit into the small holes. DO NOT use the nylon shoulder washers on boards with the small holes. This could prevent the heat sink from making contact with the processor.

Install the four nylon standoff washers over the 4 holes in the MB. Insert the Standoffs through the nylon washer and MB. Secure the standoffs with a nylon nut on backside of the MB. Keep the standoff and washer centered over the MB holes.

MB with large holes



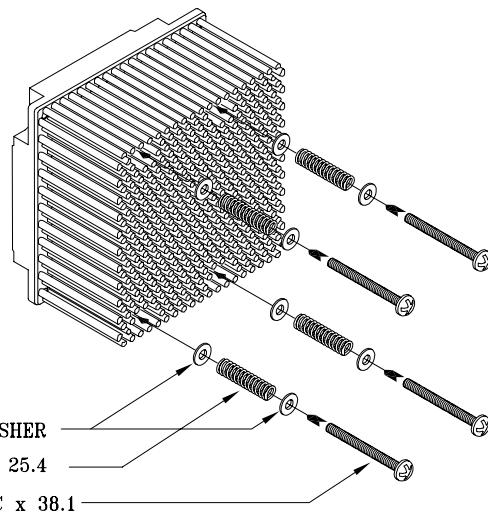
MB with small holes



STEP 3 Assemble and install Spring Screws.

Place the springs over the spring screws, between two nylon spring washers. Insert the assembled spring screws through the 4 holes in the heat sink. It may help to hold the heat sink on its side.

Inspect to ensure that the spring is still sandwiched by the two nylon washers.



STEP 4 Install Heat Sink.

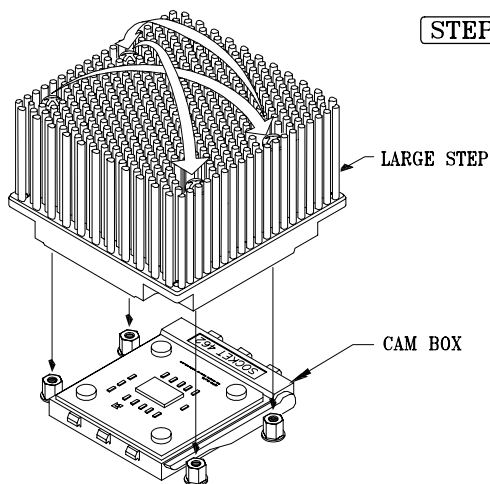
Apply a thin layer of thermal grease on the processor. Gently place heat sink on top of processor. Ensure that the large machined step in the base goes over the socket cam box. Line up the spring screws with the standoffs.

Begin to tighten the screws in an alternating crisscross pattern. Only tighten each screw a few turns each time and continue the crisscross pattern. Once the screws bottom, stop. The springs are now applying the specified load. Over-tightening the screws will accomplish nothing.

The heat sink should now be securely installed in the MB. If you wish, you can reinstall the MB in the case at this time or complete the heat sink assembly.

Due to the tolerances of the chip, socket, motherboard and mounting hardware, the amount of force exerted by the springs may be too weak in some cases. This can affect the performance of the heat sink.

If you feel that the amount of spring force is too light and affecting the performance, add one additional spring washer per screw, between the screw head and spring.

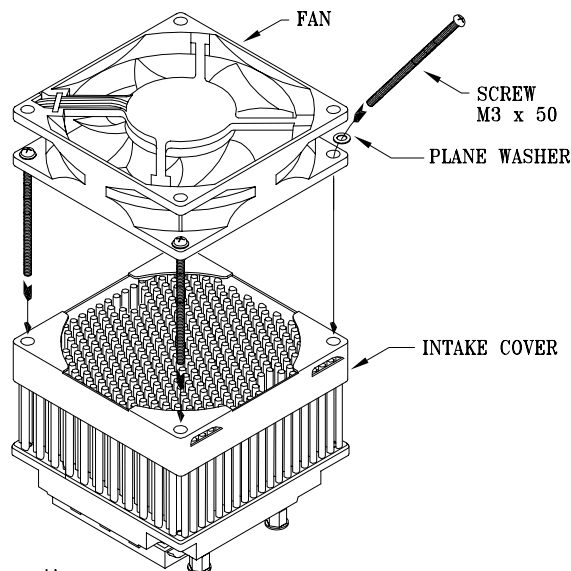


STEP 5 Heat Sink Assembly.

Please peel off the white sheet from intake cover. This cover prevents damage during manufacturing.

Place the intake-cover over the heat sink. As shown in the right-hand side figure, insert screws through in the fan's hole.

Place the fan on top of the intake cover, and tighten into the threaded holes in the heat sink base.



STEP 6 Final assembly and inspection:

Install fan cable to the motherboard connector. The PAL8045 should now be fully assembled. Inspect to ensure that the heat sink is not interfering with any components on the MB.

Reinstall the MB into the case if this was not already done. Inspect to ensure that the heat sink is sitting level relative to the processor and socket.

Inspect final assembly to ensure that the heat sink assembly is not interfering with any part of the MB or case.

information subject to change without notice.

Last revised : Dec , 2002

