

ALPHA

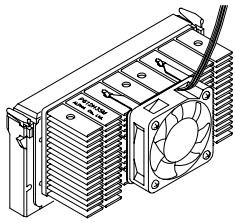
P612H35M / P612H35TM  
Installation Guide

Oct,1999

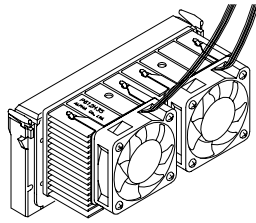
X001ZF08-01

# ALPHA HeatSink

# Installation Guide



**P612H35M**  
Recommended Cooler  
for AMD Athlon



**P612H35TM**

Model **P612H35**

For AMD Athlon, PII SECC and PIII SECC

Please verify that all parts are contained in the package per the following matrix.

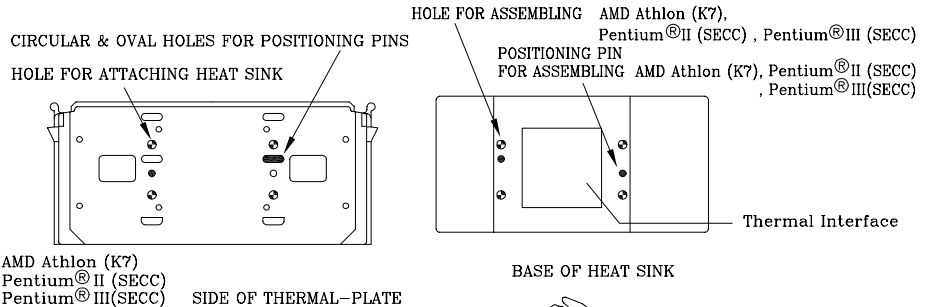
PARTS	MODEL	
	P612H35M	P612H35TM
	QTY	QTY
HEAT SINK	1	1
FAN (50mmSQ x 15mm)	1	2
FAN-MOUNT BRACKET	1	2
SCREW (FOR ATTACHING FAN) M3 x 16	4	8
TAPTIGHT 3580	4	4

## STEP 1

Check for proper component orientation.

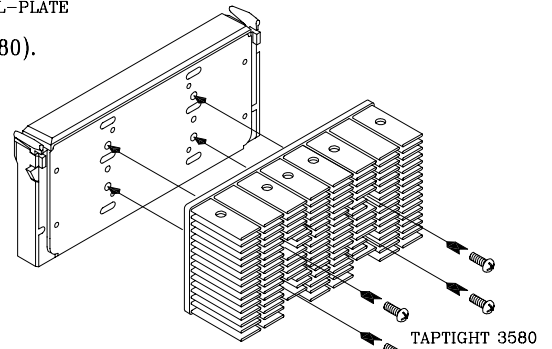


Peel off the clear covering from the Thermal Interface.



## STEP 2

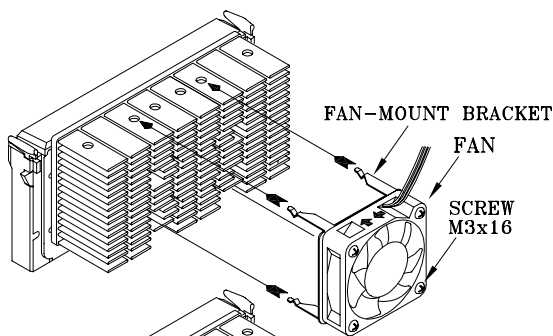
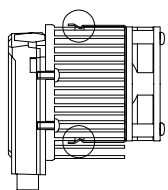
Fasten heat sink to the thermal plate with tapping screws (Taptight3580).  
Keep vertical to the plane of attachment and fasten securely.  
Do not over tighten.



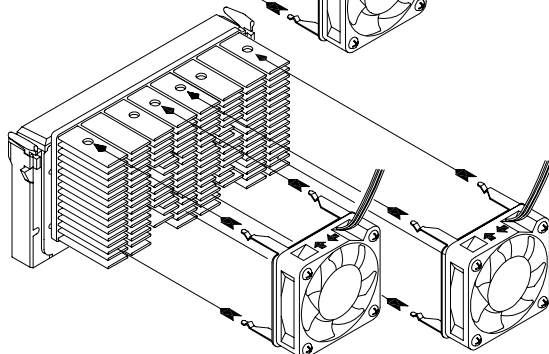
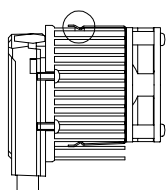
## STEP 3

First attach the fan to the FAN-MOUNT BRACKET.  
Assemble to heat sink as shown in the diagram below.  
Push fan assembly on to heat sink until locking tangs engage holes on heat sink.

**P612H35M**

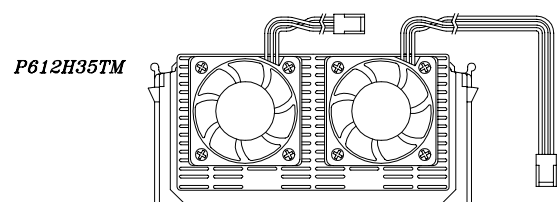
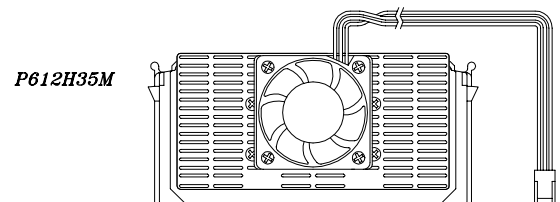


**P612H35TM**



## STEP 4

Install fan cable to the motherboard connector.



AMD, Athlon, K7 are trademarks of Advanced Micro Devices, Inc.  
Pentium® II, Pentium® III is trademarks of Intel Corporation.  
information subject to change without notice