

ALPHA

PAL60, PFH60 Installation Guide

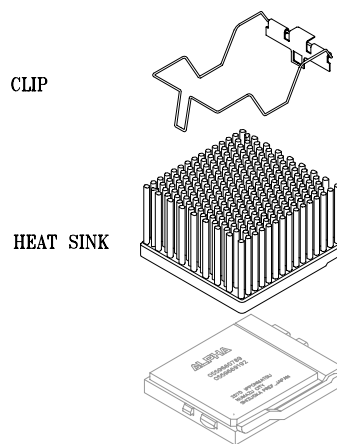
Feb,2000

X001ZF06-04

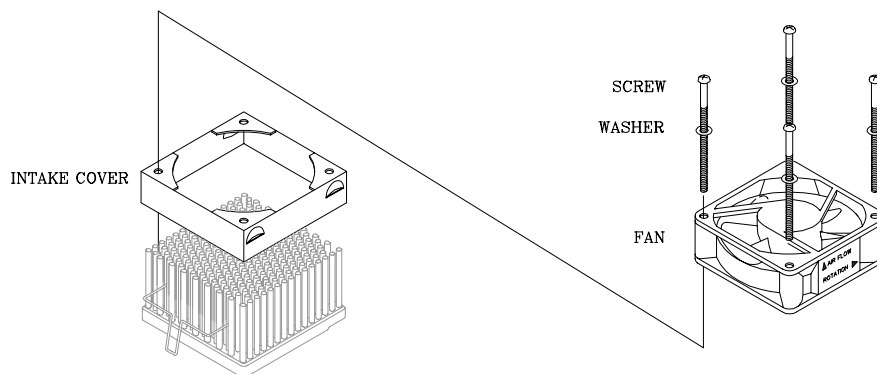
STEP 0 Please verify that all parts are contained in the package per the following matrix.

PARTS	QTY	MODEL		
		PAL6035/30 , PFH6035/30		
		AC	MFC	MUC
HEAT SINK	1	○	○	○
INTAKE COVER	1		○	○
CLIP	1	○	○	○
SCREW (FOR FAN ATTACH)	4		○	○
WASHER (FOR FAN ATTACH)	4		○	○
FAN	1			○
THERMAL GREASE	1			○

STEP 1 Make sure the heat sink does not interfere with socket lever etc before trying to assemble the heatsink unit and decide clip position.



STEP 2 Place Intakecover directly over heatsink . Assemble as diagram below :



STEP 3 Apply thermal grease to heat sink and CPU thinly and evenly.

NOTE: Applying excessive thermal grease causes decrease in thermal performance.

To avoid possible board damage , do not use excessive force. Make sure the clip is installed correctly on socket tab.

information subject to change without notice.

Last modified : Feb , 2000