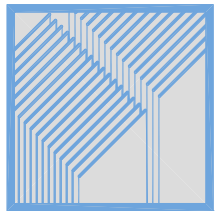
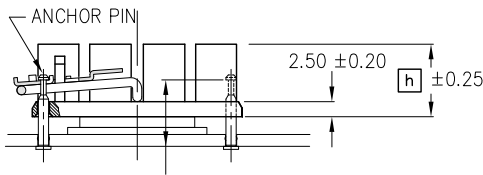
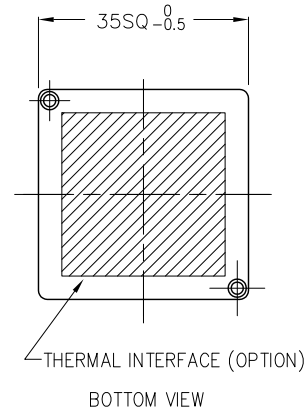
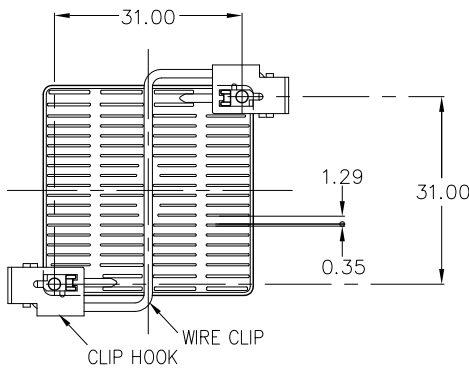


QuickSet Series  
QZR

**ALPHA**



DIM



ANCHOR PIN LENGTH : CAN SELECT 8.00, 11.00, 13.00, OR 16.00.

8.00 : ANCR-8

11.00 : ANCR-11

13.00 : ANCR-13

16.00 : ANCR-16

ATTACHMENT FORCE : REFER TO THE ● CLIP FORCE.

MATERIAL

HEATSINK : A6063 BLACK ANODIZE

WIRE CLIP : SW-C NICKEL PRECOATED

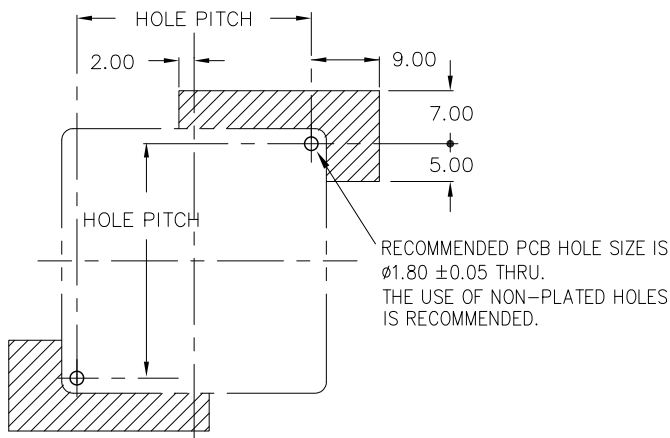
HOOK : STAINLESS STEEL 304

ANCHOR : STAINLESS STEEL 303

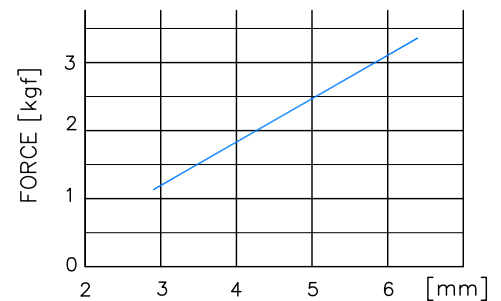
DIMENSIONS : mm

BASIC HEATSINK MODEL NUMBER	OVERALL HEIGHT [h]	BASIC HEATSINK WEIGHT (grams)	FEATURES
QZR35-10B	10	12.7	FOR FORCED CONVECTION HIGH PERFORMANCE HEATSINK.
QZR35-12B	12	13.9	

● PCB HOLE PATTERN & SUGGESTED KEEP-OUT AREA



● CLIP FORCE



ANCR-8 : CHIP HEIGHT + PCB THK + 3.0

ANCR-11 : CHIP HEIGHT + PCB THK

ANCR-13 : CHIP HEIGHT + PCB THK - 2.0

ANCR-16 : CHIP HEIGHT + PCB THK - 5.0

Alpha Company Ltd.

256-1 UEDA, NUMAZU-CITY SHIZUOKA-PREF., JAPAN

PHONE +81(55)966 0789

FAX +81(55)966 9192

E mail : alpha@micforg.co.jp

URL : <http://www.micforg.co.jp>

Alpha Novatech, Inc. - a subsidiary of Alpha Company.

473 Sapena Ct. #12 Santa Clara, CA 95054 USA

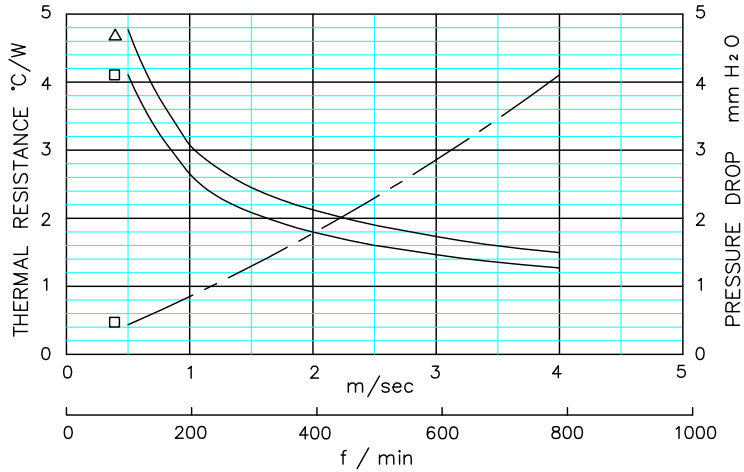
PHONE +1(408)567-8082

FAX +1(408)567-8053

E mail : sales@alphanovatech.com

URL : <http://www.alphanovatech.com>

DATA



△ QZR35-10B  
□ QZR35-12B

- DUCTED CONDITION  
DUMMY HEATER SIZE: 12.7 SQ  
THERMAL RESISTANCE \_\_\_\_\_  
PRESURE DROP - - - - -
- BASED ON ALPHA'S STANDARD TEST PROCEDURE.  
REFER TO TECHNICAL INFORMATION.

AIR VELOCITY: DUCTED CONDITION

REF



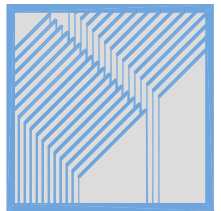
MODEL NAME INFORMATION  
TO BUILD PART NUMBER, PLEASE VISIT OUR WEBSITE [www.micforg.co.jp](http://www.micforg.co.jp) OR CONTACT ALPHA SALES.

Alpha Company Ltd.

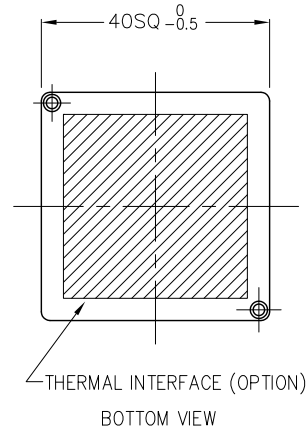
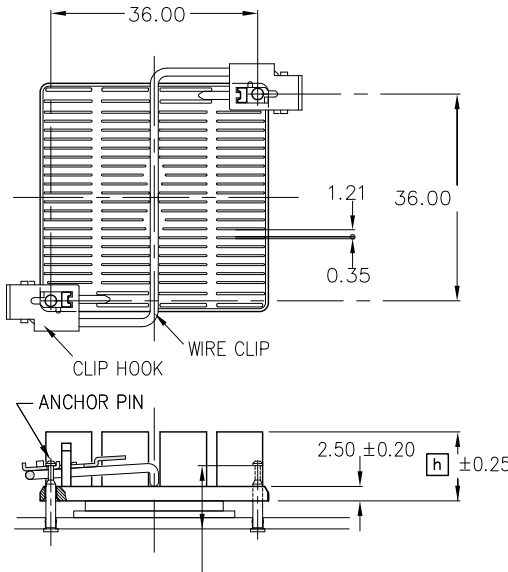
256-1 UEDA, NUMAZU-CITY SHIZUOKA-PREF., JAPAN  
PHONE +81(55)966 0789  
FAX +81(55)966 9192  
E mail : [alpha@micforg.co.jp](mailto:alpha@micforg.co.jp)  
URL : <http://www.micforg.co.jp>

Alpha Novatech, Inc. - a subsidiary of Alpha Company.

473 Sapena Ct. #12 Santa Clara, CA 95054 USA  
PHONE +1(408)567-8082  
FAX +1(408)567-8053  
E mail : [sales@alphanovatech.com](mailto:sales@alphanovatech.com)  
URL : <http://www.alphanovatech.com>



DIM



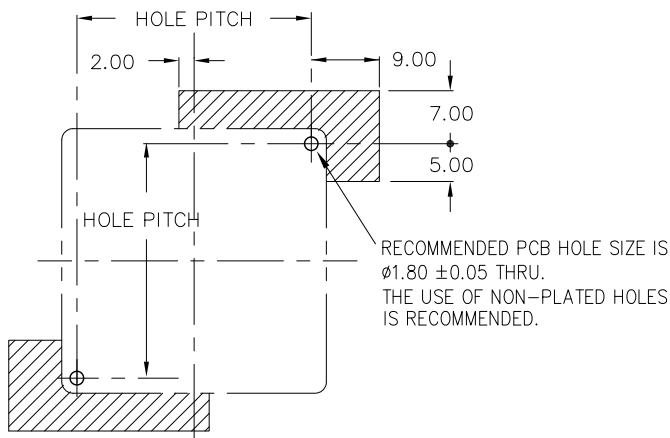
ANCHOR PIN LENGTH : CAN SELECT 8.00, 11.00, 13.00, OR 16.00.  
 8.00 : ANCR-8  
 11.00 : ANCR-11  
 13.00 : ANCR-13  
 16.00 : ANCR-16  
 ATTACHMENT FORCE : REFER TO THE ● CLIP FORCE.

MATERIAL  
 HEATSINK : A6063 BLACK ANODIZE  
 WIRE CLIP : SW-C NICKEL PRECOATED  
 HOOK : STAINLESS STEEL 304  
 ANCHOR : STAINLESS STEEL 303

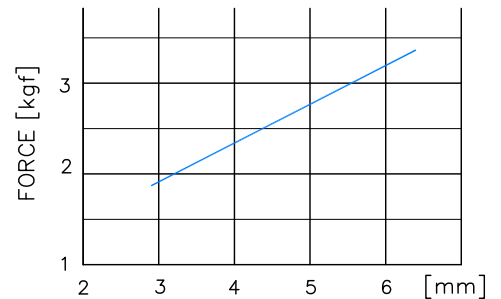
DIMENSIONS : mm

BASIC HEATSINK MODEL NUMBER	OVERALL HEIGHT [h]	BASIC HEATSINK WEIGHT (grams)	FEATURES
QZR40-10B	10	17.1	FOR FORCED CONVECTION HIGH PERFORMANCE HEATSINK.
QZR40-12B	12	18.9	

● PCB HOLE PATTERN & SUGGESTED KEEP-OUT AREA



● CLIP FORCE



ANCR-8 : CHIP HEIGHT + PCB THK + 3.0  
 ANCR-11 : CHIP HEIGHT + PCB THK  
 ANCR-13 : CHIP HEIGHT + PCB THK - 2.0  
 ANCR-16 : CHIP HEIGHT + PCB THK - 5.0

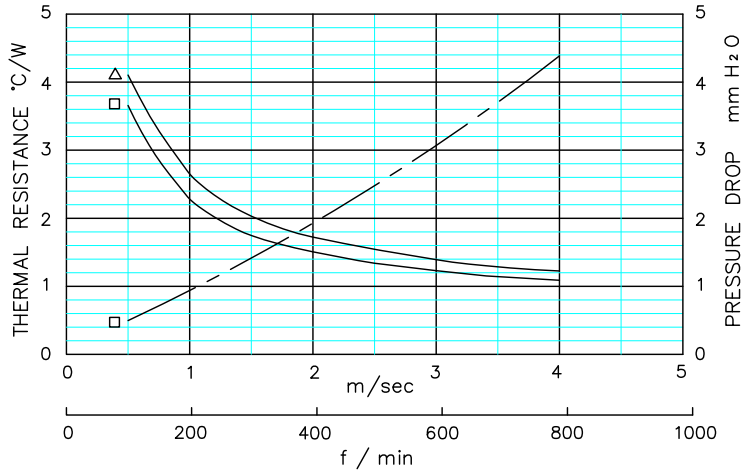
Alpha Company Ltd.

256-1 UEDA, NUMAZU-CITY SHIZUOKA-PREF., JAPAN  
 PHONE +81(55)966 0789  
 FAX +81(55)966 9192  
 E mail : alpha@micforg.co.jp  
 URL : http://www.micforg.co.jp

Alpha Novatech, Inc. - a subsidiary of Alpha Company.

473 Sapena Ct. #12 Santa Clara, CA 95054 USA  
 PHONE +1(408)567-8082  
 FAX +1(408)567-8053  
 E mail : sales@alphanovatech.com  
 URL : http://www.alphanovatech.com

DATA



△ QZR40-10B  
□ QZR40-12B

- DUCTED CONDITION  
DUMMY HEATER SIZE: 12.7 SQ  
THERMAL RESISTANCE \_\_\_\_\_  
PRESURE DROP - - - - -
- BASED ON ALPHA'S STANDARD TEST PROCEDURE.  
REFER TO TECHNICAL INFORMATION.

AIR VELOCITY: DUCTED CONDITION

REF



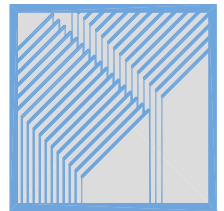
MODEL NAME INFORMATION  
TO BUILD PART NUMBER, PLEASE VISIT OUR WEBSITE [www.micforg.co.jp](http://www.micforg.co.jp) OR CONTACT ALPHA SALES.

Alpha Company Ltd.

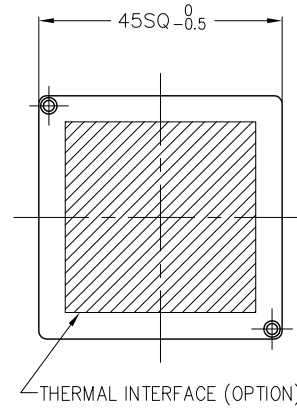
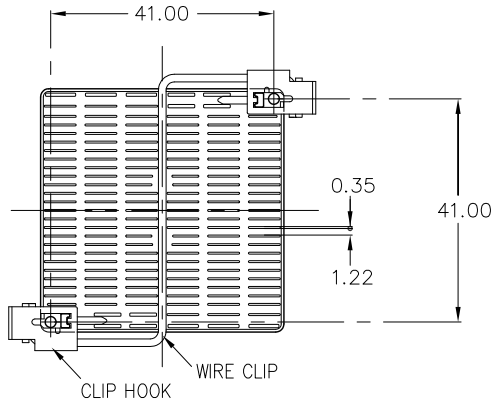
256-1 UEDA, NUMAZU-CITY SHIZUOKA-PREF., JAPAN  
PHONE +81(55)966 0789  
FAX +81(55)966 9192  
E mail : [alpha@micforg.co.jp](mailto:alpha@micforg.co.jp)  
URL : <http://www.micforg.co.jp>

Alpha Novatech, Inc. - a subsidiary of Alpha Company.

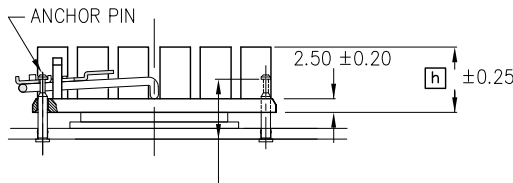
473 Sapena Ct. #12 Santa Clara, CA 95054 USA  
PHONE +1(408)567-8082  
FAX +1(408)567-8053  
E mail : [sales@alphanovatech.com](mailto:sales@alphanovatech.com)  
URL : <http://www.alphanovatech.com>



DIM



BOTTOM VIEW



ANCHOR PIN LENGTH : CAN SELECT 8.00, 11.00, 13.00, OR 16.00.

- 8.00 : ANCR-8
- 11.00 : ANCR-11
- 13.00 : ANCR-13
- 16.00 : ANCR-16

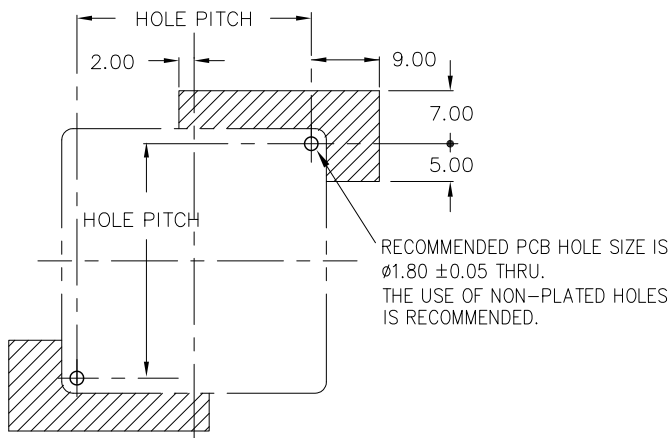
ATTACHMENT FORCE : REFER TO THE ● CLIP FORCE.

- MATERIAL HEATSINK : A6063 BLACK ANODIZE
- WIRE CLIP : SW-C NICKEL PRECOATED
- HOOK : STAINLESS STEEL 304
- ANCHOR : STAINLESS STEEL 303

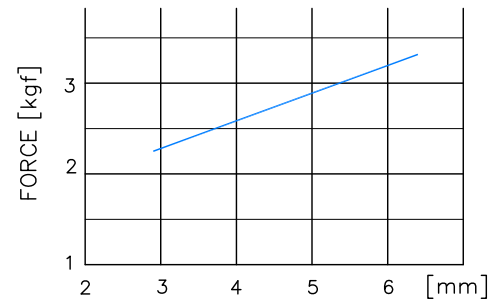
DIMENSIONS : mm

BASIC HEATSINK MODEL NUMBER	OVERALL HEIGHT [h]	BASIC HEATSINK WEIGHT (grams)	FEATURES
QZR45-10B	10	21.5	FOR FORCED CONVECTION HIGH PERFORMANCE HEATSINK.
QZR45-12B	12	23.5	

● PCB HOLE PATTERN & SUGGESTED KEEP-OUT AREA



● CLIP FORCE



- ANCR-8 : CHIP HEIGHT + PCB THK + 3.0
- ANCR-11 : CHIP HEIGHT + PCB THK
- ANCR-13 : CHIP HEIGHT + PCB THK - 2.0
- ANCR-16 : CHIP HEIGHT + PCB THK - 5.0

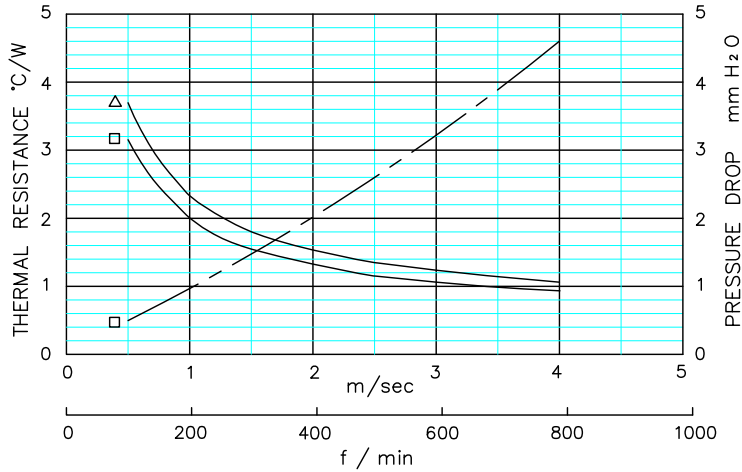
Alpha Company Ltd.

256-1 UEDA, NUMAZU-CITY SHIZUOKA-PREF., JAPAN  
 PHONE +81(55)966 0789  
 FAX +81(55)966 9192  
 E mail : alpha@micforg.co.jp  
 URL : http://www.micforg.co.jp

Alpha Novatech, Inc. - a subsidiary of Alpha Company.

473 Sapena Ct. #12 Santa Clara, CA 95054 USA  
 PHONE +1(408)567-8082  
 FAX +1(408)567-8053  
 E mail : sales@alphanovatech.com  
 URL : http://www.alphanovatech.com

DATA



△ QZR45-10B  
□ QZR45-12B

- DUCTED CONDITION  
DUMMY HEATER SIZE: 12.7 SQ  
THERMAL RESISTANCE \_\_\_\_\_  
PRESURE DROP - - - - -
- BASED ON ALPHA'S STANDARD TEST PROCEDURE.  
REFER TO TECHNICAL INFORMATION.

AIR VELOCITY: DUCTED CONDITION

REF



MODEL NAME INFORMATION

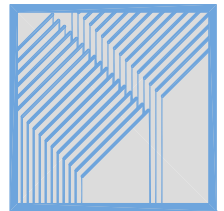
TO BUILD PART NUMBER, PLEASE VISIT OUR WEBSITE [www.micforg.co.jp](http://www.micforg.co.jp) OR CONTACT ALPHA SALES.

Alpha Company Ltd.

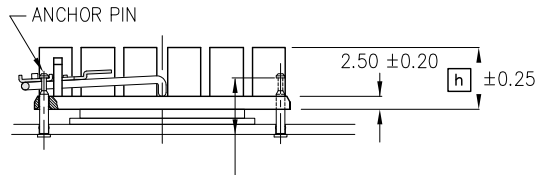
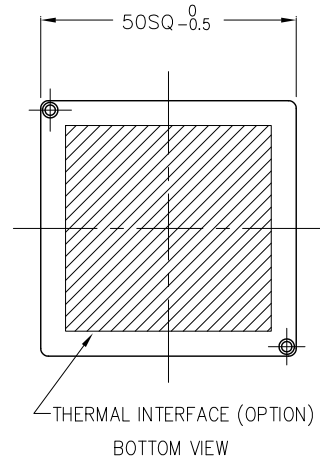
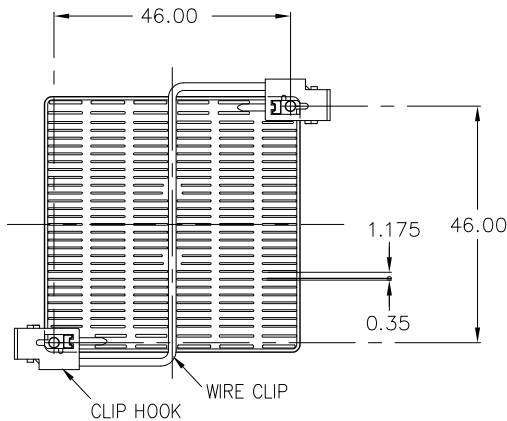
256-1 UEDA, NUMAZU-CITY SHIZUOKA-PREF., JAPAN  
PHONE +81(55)966 0789  
FAX +81(55)966 9192  
E mail : [alpha@micforg.co.jp](mailto:alpha@micforg.co.jp)  
URL : <http://www.micforg.co.jp>

Alpha Novatech, Inc. - a subsidiary of Alpha Company.

473 Sapena Ct. #12 Santa Clara, CA 95054 USA  
PHONE +1(408)567-8082  
FAX +1(408)567-8053  
E mail : [sales@alphanovatech.com](mailto:sales@alphanovatech.com)  
URL : <http://www.alphanovatech.com>



DIM



ANCHOR PIN LENGTH : CAN SELECT 8.00, 11.00, 13.00, OR 16.00.

8.00 : ANCR-8

11.00 : ANCR-11

13.00 : ANCR-13

16.00 : ANCR-16

ATTACHMENT FORCE : REFER TO THE ● CLIP FORCE.

MATERIAL

HEATSINK : A6063 BLACK ANODIZE

WIRE CLIP : SW-C NICKEL PRECOATED

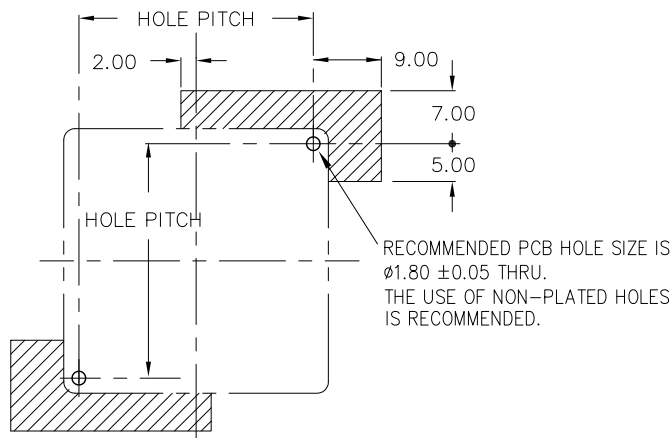
HOOK : STAINLESS STEEL 304

ANCHOR : STAINLESS STEEL 303

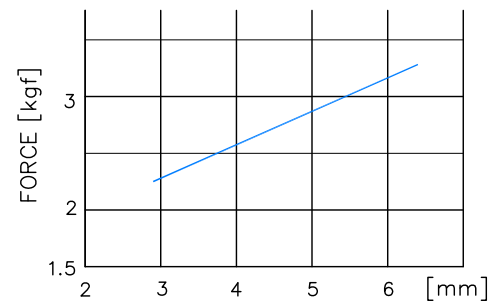
DIMENSIONS : mm

BASIC HEATSINK MODEL NUMBER	OVERALL HEIGHT [h]	BASIC HEATSINK WEIGHT (grams)	FEATURES
QZR50-10B	10	27.4	FOR FORCED CONVECTION HIGH PERFORMANCE HEATSINK.
QZR50-12B	12	30.4	

● PCB HOLE PATTERN & SUGGESTED KEEP-OUT AREA



● CLIP FORCE



ANCR-8 : CHIP HEIGHT + PCB THK + 3.0

ANCR-11 : CHIP HEIGHT + PCB THK

ANCR-13 : CHIP HEIGHT + PCB THK - 2.0

ANCR-16 : CHIP HEIGHT + PCB THK - 5.0

Alpha Company Ltd.

256-1 UEDA, NUMAZU-CITY SHIZUOKA-PREF., JAPAN

PHONE +81(55)966 0789

FAX +81(55)966 9192

E mail : alpha@micforg.co.jp

URL : <http://www.micforg.co.jp>

Alpha Novatech, Inc. - a subsidiary of Alpha Company.

473 Sapena Ct. #12 Santa Clara, CA 95054 USA

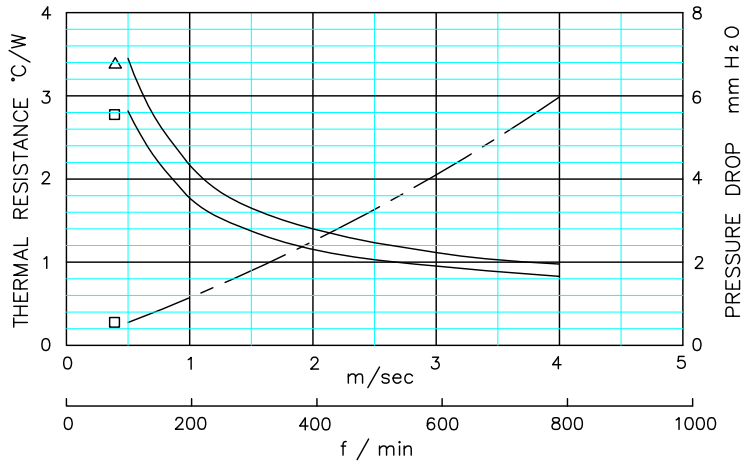
PHONE +1(408)567-8082

FAX +1(408)567-8053

E mail : sales@alphanovatech.com

URL : <http://www.alphanovatech.com>

DATA



△ QZR50-10B  
 □ QZR50-12B

- DUCTED CONDITION  
 DUMMY HEATER SIZE: 12.7 SQ  
 THERMAL RESISTANCE \_\_\_\_\_  
 PRESURE DROP - - - - -
- BASED ON ALPHA'S STANDARD TEST PROCEDURE.  
 REFER TO TECHNICAL INFORMATION.

AIR VELOCITY: DUCTED CONDITION

REF



MODEL NAME INFORMATION

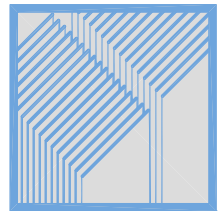
TO BUILD PART NUMBER, PLEASE VISIT OUR WEBSITE [www.micforg.co.jp](http://www.micforg.co.jp) OR CONTACT ALPHA SALES.

Alpha Company Ltd.

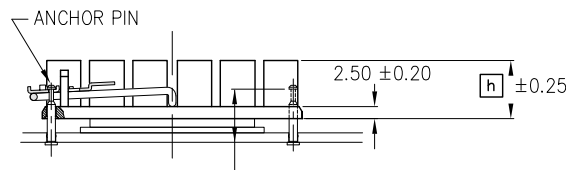
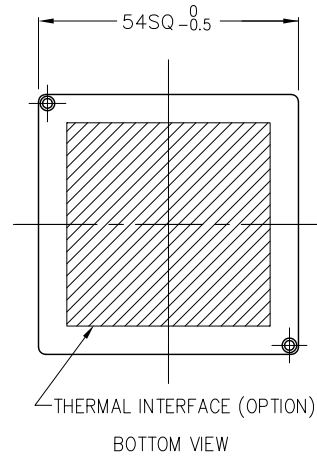
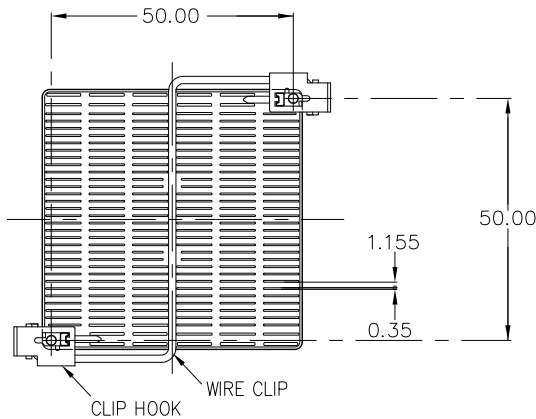
256-1 UEDA, NUMAZU-CITY SHIZUOKA-PREF., JAPAN  
 PHONE +81(55)966 0789  
 FAX +81(55)966 9192  
 E mail : [alpha@micforg.co.jp](mailto:alpha@micforg.co.jp)  
 URL : <http://www.micforg.co.jp>

Alpha Novatech, Inc. - a subsidiary of Alpha Company.

473 Sapena Ct. #12 Santa Clara, CA 95054 USA  
 PHONE +1(408)567-8082  
 FAX +1(408)567-8053  
 E mail : [sales@alphanovatech.com](mailto:sales@alphanovatech.com)  
 URL : <http://www.alphanovatech.com>



DIM



ANCHOR PIN LENGTH : CAN SELECT 8.00, 11.00, 13.00, OR 16.00.  
 8.00 : ANCR-8  
 11.00 : ANCR-11  
 13.00 : ANCR-13  
 16.00 : ANCR-16

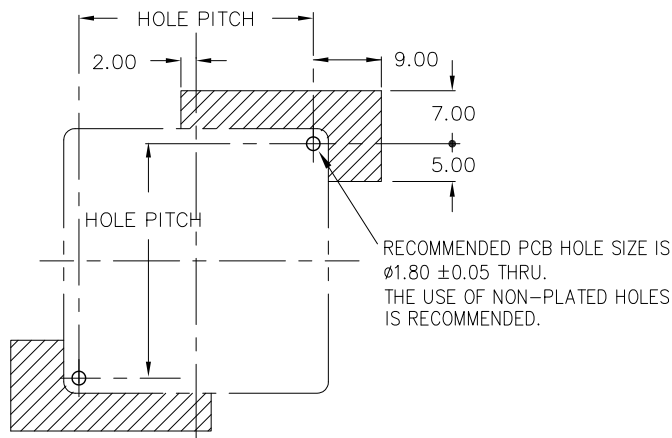
ATTACHMENT FORCE : REFER TO THE ● CLIP FORCE.

MATERIAL  
 HEATSINK : A6063 BLACK ANODIZE  
 WIRE CLIP : SW-C NICKEL PRECOATED  
 HOOK : STAINLESS STEEL 304  
 ANCHOR : STAINLESS STEEL 303

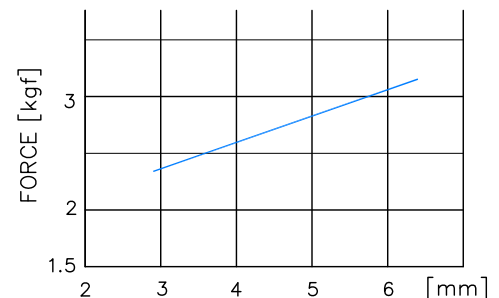
DIMENSIONS : mm

BASIC HEATSINK MODEL NUMBER	OVERALL HEIGHT [h]	BASIC HEATSINK WEIGHT (grams)	FEATURES
QZR54-10B	10	32.5	FOR FORCED CONVECTION HIGH PERFORMANCE HEATSINK.
QZR54-12B	12	36.1	

● PCB HOLE PATTERN & SUGGESTED KEEP-OUT AREA



● CLIP FORCE



ANCR-8 : CHIP HEIGHT + PCB THK + 3.0  
 ANCR-11 : CHIP HEIGHT + PCB THK  
 ANCR-13 : CHIP HEIGHT + PCB THK - 2.0  
 ANCR-16 : CHIP HEIGHT + PCB THK - 5.0

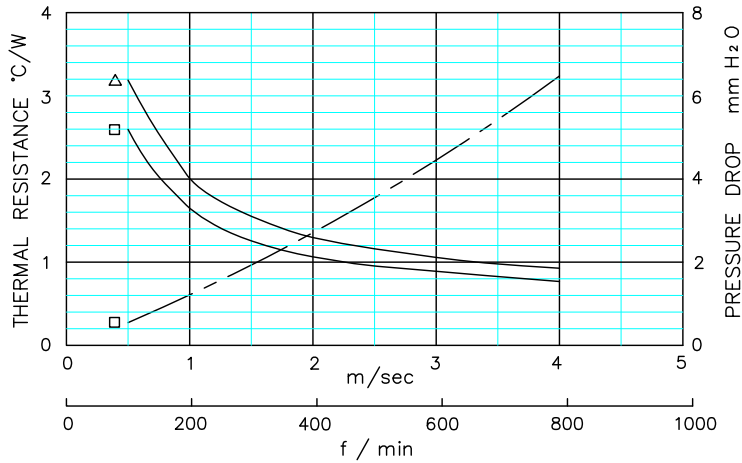
Alpha Company Ltd.

256-1 UEDA, NUMAZU-CITY SHIZUOKA-PREF., JAPAN  
 PHONE +81(55)966 0789  
 FAX +81(55)966 9192  
 E mail : alpha@micforg.co.jp  
 URL : http://www.micforg.co.jp

Alpha Novatech, Inc. - a subsidiary of Alpha Company.

473 Sapena Ct. #12 Santa Clara, CA 95054 USA  
 PHONE +1(408)567-8082  
 FAX +1(408)567-8053  
 E mail : sales@alphanovatech.com  
 URL : http://www.alphanovatech.com

DATA



△ QZR54-10B  
 □ QZR54-12B

● DUCTED CONDITION  
 DUMMY HEATER SIZE: 12.7 SQ  
 THERMAL RESISTANCE \_\_\_\_\_  
 PRESURE DROP - - - - -  
 ■ BASED ON ALPHA'S STANDARD TEST PROCEDURE.  
 REFER TO TECHNICAL INFORMATION.

AIR VELOCITY: DUCTED CONDITION

REF



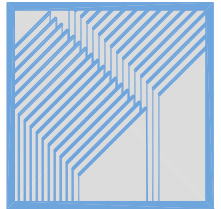
MODEL NAME INFORMATION  
 TO BUILD PART NUMBER, PLEASE VISIT OUR WEBSITE [www.micforg.co.jp](http://www.micforg.co.jp) OR CONTACT ALPHA SALES.

Alpha Company Ltd.

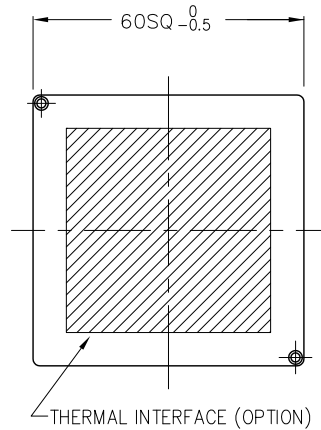
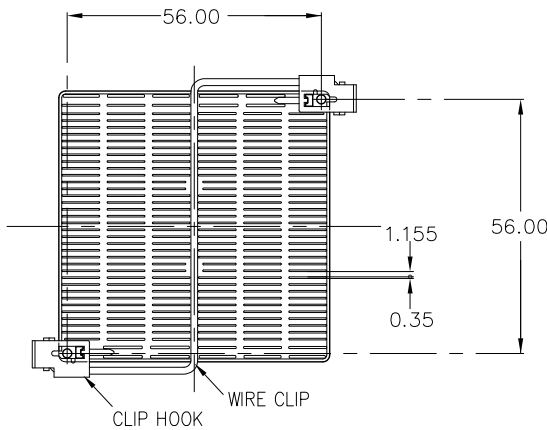
256-1 UEDA, NUMAZU-CITY SHIZUOKA-PREF., JAPAN  
 PHONE +81(55)966 0789  
 FAX +81(55)966 9192  
 E mail : [alpha@micforg.co.jp](mailto:alpha@micforg.co.jp)  
 URL : <http://www.micforg.co.jp>

Alpha Novatech, Inc. - a subsidiary of Alpha Company.

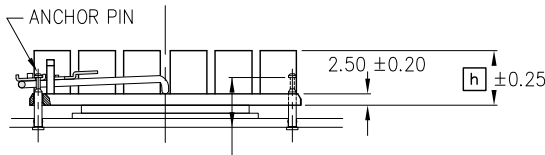
473 Sapena Ct. #12 Santa Clara, CA 95054 USA  
 PHONE +1(408)567-8082  
 FAX +1(408)567-8053  
 E mail : [sales@alphanovatech.com](mailto:sales@alphanovatech.com)  
 URL : <http://www.alphanovatech.com>



DIM



BOTTOM VIEW



ANCHOR PIN LENGTH : CAN SELECT 8.00, 11.00, 13.00, OR 16.00.

- 8.00 : ANCR-8
- 11.00 : ANCR-11
- 13.00 : ANCR-13
- 16.00 : ANCR-16

ATTACHMENT FORCE : REFER TO THE ● CLIP FORCE.

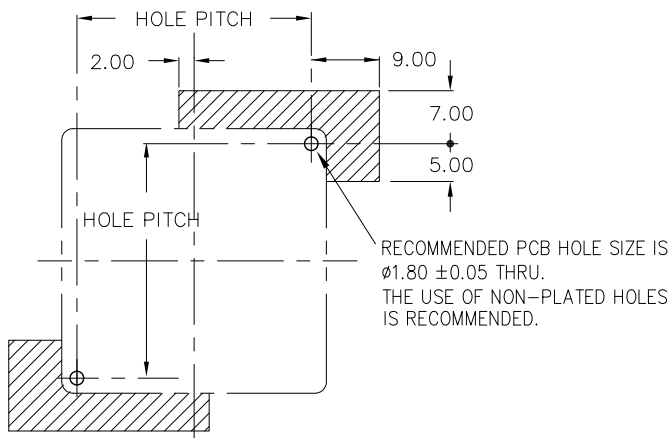
MATERIAL

- HEATSINK : A6063 BLACK ANODIZE
- WIRE CLIP : SW-C NICKEL PRECOATED
- HOOK : STAINLESS STEEL 304
- ANCHOR : STAINLESS STEEL 303

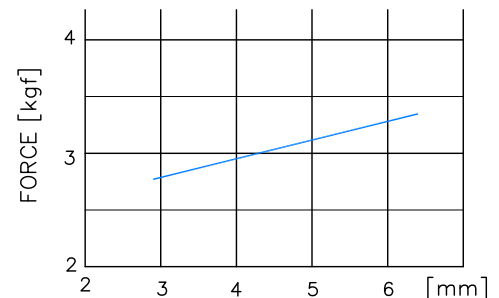
DIMENSIONS : mm

BASIC HEATSINK MODEL NUMBER	OVERALL HEIGHT [h]	BASIC HEATSINK WEIGHT (grams)	FEATURES
QZR60-10B	10	39.7	FOR FORCED CONVECTION HIGH PERFORMANCE HEATSINK.
QZR60-12B	12	44.1	

● PCB HOLE PATTERN & SUGGESTED KEEP-OUT AREA



● CLIP FORCE



- ANCR-8 : CHIP HEIGHT + PCB THK + 3.0
- ANCR-11 : CHIP HEIGHT + PCB THK
- ANCR-13 : CHIP HEIGHT + PCB THK - 2.0
- ANCR-16 : CHIP HEIGHT + PCB THK - 5.0

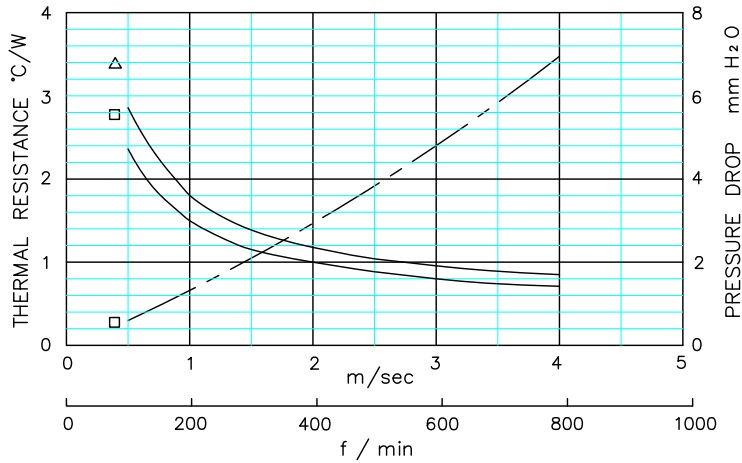
Alpha Company Ltd.

256-1 UEDA, NUMAZU-CITY SHIZUOKA-PREF., JAPAN  
 PHONE +81(55)966 0789  
 FAX +81(55)966 9192  
 E mail : alpha@micforg.co.jp  
 URL : http://www.micforg.co.jp

Alpha Novatech, Inc. - a subsidiary of Alpha Company.

473 Sapena Ct. #12 Santa Clara, CA 95054 USA  
 PHONE +1(408)567-8082  
 FAX +1(408)567-8053  
 E mail : sales@alphanovatech.com  
 URL : http://www.alphanovatech.com

DATA



△ QZR60-10B  
□ QZR60-12B

- DUCTED CONDITION  
DUMMY HEATER SIZE: 12.7 SQ  
THERMAL RESISTANCE \_\_\_\_\_  
PRESURE DROP - - - - -
- BASED ON ALPHA'S STANDARD TEST PROCEDURE.  
REFER TO TECHNICAL INFORMATION.

AIR VELOCITY: DUCTED CONDITION

REF



MODEL NAME INFORMATION

TO BUILD PART NUMBER, PLEASE VISIT OUR WEBSITE [www.micforg.co.jp](http://www.micforg.co.jp) OR CONTACT ALPHA SALES.

Alpha Company Ltd.

256-1 UEDA, NUMAZU-CITY SHIZUOKA-PREF., JAPAN  
PHONE +81(55)966 0789  
FAX +81(55)966 9192  
E mail : [alpha@micforg.co.jp](mailto:alpha@micforg.co.jp)  
URL : <http://www.micforg.co.jp>

Alpha Novatech, Inc. - a subsidiary of Alpha Company.

473 Sapena Ct. #12 Santa Clara, CA 95054 USA  
PHONE +1(408)567-8082  
FAX +1(408)567-8053  
E mail : [sales@alphanovatech.com](mailto:sales@alphanovatech.com)  
URL : <http://www.alphanovatech.com>