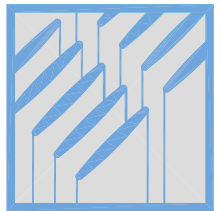


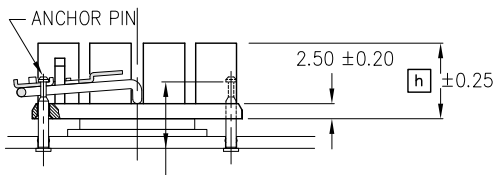
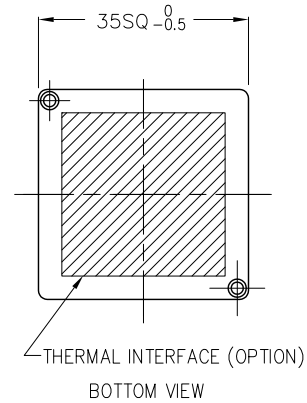
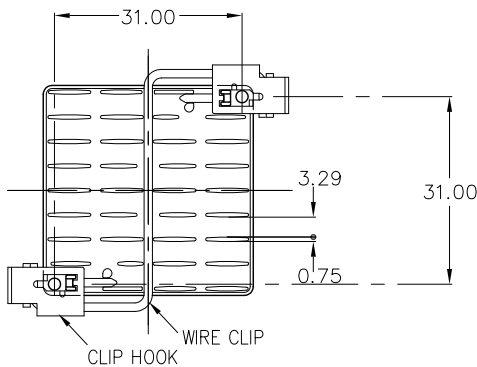


QuickSet Series
QLPR

ALPHA



DIM



ANCHOR PIN LENGTH : CAN SELECT 8.00, 11.00, 13.00, OR 16.00.

8.00 : ANCR-8

11.00 : ANCR-11

13.00 : ANCR-13

16.00 : ANCR-16

ATTACHMENT FORCE : REFER TO THE ● CLIP FORCE.

MATERIAL

HEATSINK : A6063 BLACK ANODIZE

WIRE CLIP : SW-C NICKEL PRECOATED

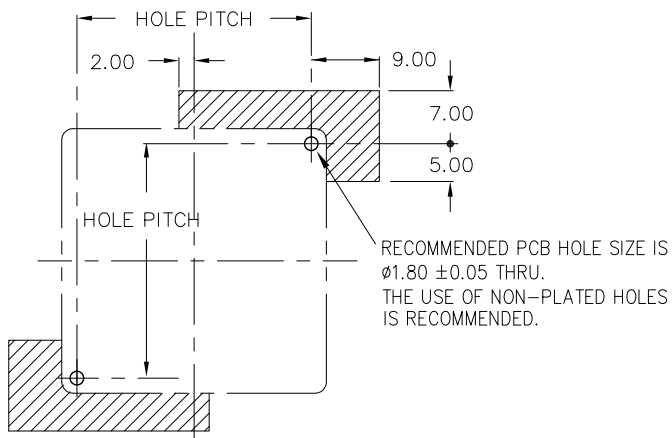
HOOK : STAINLESS STEEL 304

ANCHOR : STAINLESS STEEL 303

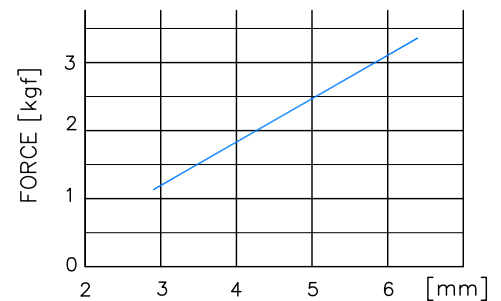
DIMENSIONS : mm

| BASIC HEATSINK MODEL NUMBER | OVERALL HEIGHT h | BASIC HEATSINK WEIGHT (grams) | FEATURES |
|-----------------------------|--------------------|-------------------------------|---|
| QLPR35-10B | 10 | 11.3 | LOW PRESSURE DROP HEATSINK. FOR LOW AIR FLOW OR NATURAL CONVECTION. |
| QLPR35-15B | 15 | 13.3 | |
| QLPR35-20B | 20 | 15.3 | |
| QLPR35-25B | 25 | 17.3 | |
| QLPR35-30B | 30 | 19.3 | |

● PCB HOLE PATTERN & SUGGESTED KEEP-OUT AREA



● CLIP FORCE



ANCR-8 : CHIP HEIGHT + PCB THK + 3.0

ANCR-11 : CHIP HEIGHT + PCB THK

ANCR-13 : CHIP HEIGHT + PCB THK - 2.0

ANCR-16 : CHIP HEIGHT + PCB THK - 5.0

Alpha Company Ltd.

256-1 UEDA, NUMAZU-CITY SHIZUOKA-PREF., JAPAN

PHONE +81(55)966 0789

FAX +81(55)966 9192

E mail : alpha@micforg.co.jp

URL : <http://www.micforg.co.jp>

Alpha Novatech, Inc. - a subsidiary of Alpha Company.

473 Sapena Ct. #12 Santa Clara, CA 95054 USA

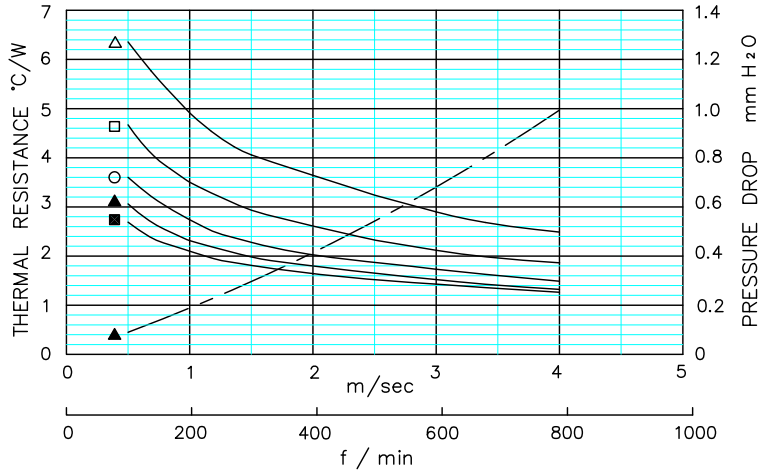
PHONE +1(408)567-8082

FAX +1(408)567-8053

E mail : sales@alphanovatech.com

URL : <http://www.alphanovatech.com>

DATA



- △ QLPR35-10B
- QLPR35-15B
- QLPR35-20B
- ▲ QLPR35-25B
- QLPR35-30B

- DUCTED CONDITION
DUMMY HEATER SIZE: 12.7 SQ
THERMAL RESISTANCE _____
PRESURE DROP - - - - -
- BASED ON ALPHA'S STANDARD TEST PROCEDURE.
REFER TO TECHNICAL INFORMATION.

AIR VELOCITY: DUCTED CONDITION

REF



MODEL NAME INFORMATION

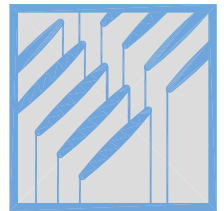
TO BUILD PART NUMBER, PLEASE VISIT OUR WEBSITE www.micforg.co.jp OR CONTACT ALPHA SALES.

Alpha Company Ltd.

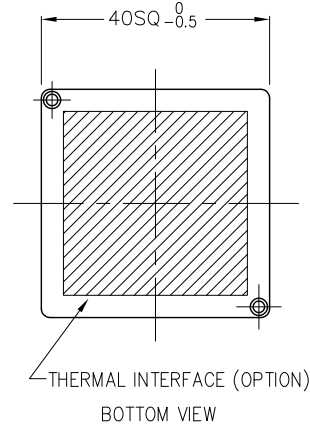
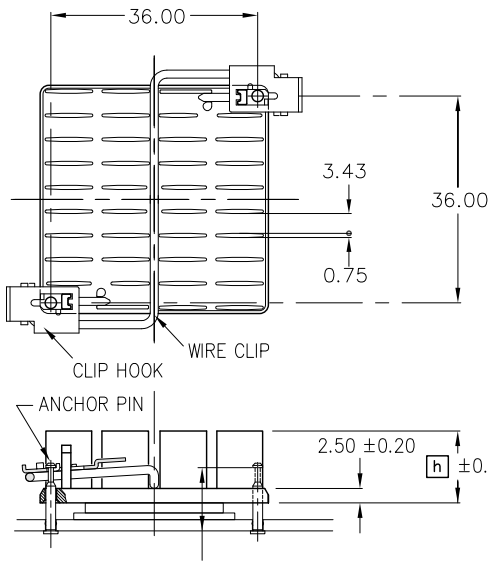
256-1 UEDA, NUMAZU-CITY SHIZUOKA-PREF., JAPAN
 PHONE +81(55)966 0789
 FAX +81(55)966 9192
 E mail : alpha@micforg.co.jp
 URL : <http://www.micforg.co.jp>

Alpha Novatech, Inc. - a subsidiary of Alpha Company.

473 Sapena Ct. #12 Santa Clara, CA 95054 USA
 PHONE +1(408)567-8082
 FAX +1(408)567-8053
 E mail : sales@alphanovatech.com
 URL : <http://www.alphanovatech.com>



DIM



ANCHOR PIN LENGTH : CAN SELECT 8.00, 11.00, 13.00, OR 16.00.

8.00 : ANCR-8

11.00 : ANCR-11

13.00 : ANCR-13

16.00 : ANCR-16

ATTACHMENT FORCE : REFER TO THE ● CLIP FORCE.

MATERIAL

HEATSINK : A6063 BLACK ANODIZE

WIRE CLIP : SW-C NICKEL PRECOATED

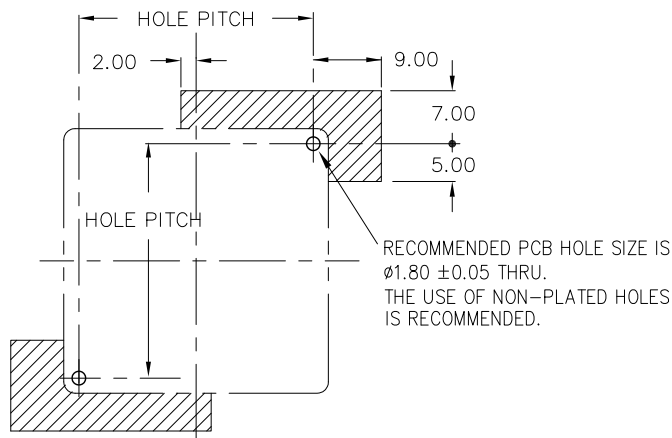
HOOK : STAINLESS STEEL 304

ANCHOR : STAINLESS STEEL 303

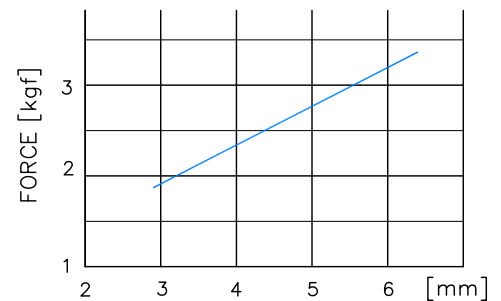
DIMENSIONS : mm

| BASIC HEATSINK MODEL NUMBER | OVERALL HEIGHT h | BASIC HEATSINK WEIGHT (grams) | FEATURES |
|-----------------------------|--------------------|-------------------------------|---|
| QLPR40-10B | 10 | 14.8 | LOW PRESSURE DROP HEATSINK. FOR LOW AIR FLOW OR NATURAL CONVECTION. |
| QLPR40-15B | 15 | 17.5 | |
| QLPR40-20B | 20 | 20.2 | |
| QLPR40-25B | 25 | 22.9 | |
| QLPR40-30B | 30 | 25.6 | |

● PCB HOLE PATTERN & SUGGESTED KEEP-OUT AREA



● CLIP FORCE



ANCR-8 : CHIP HEIGHT + PCB THK + 3.0

ANCR-11 : CHIP HEIGHT + PCB THK

ANCR-13 : CHIP HEIGHT + PCB THK - 2.0

ANCR-16 : CHIP HEIGHT + PCB THK - 5.0

Alpha Company Ltd.

256-1 UEDA, NUMAZU-CITY SHIZUOKA-PREF., JAPAN

PHONE +81(55)966 0789

FAX +81(55)966 9192

E mail : alpha@micforg.co.jp

URL : <http://www.micforg.co.jp>

Alpha Novatech, Inc. - a subsidiary of Alpha Company.

473 Sapena Ct. #12 Santa Clara, CA 95054 USA

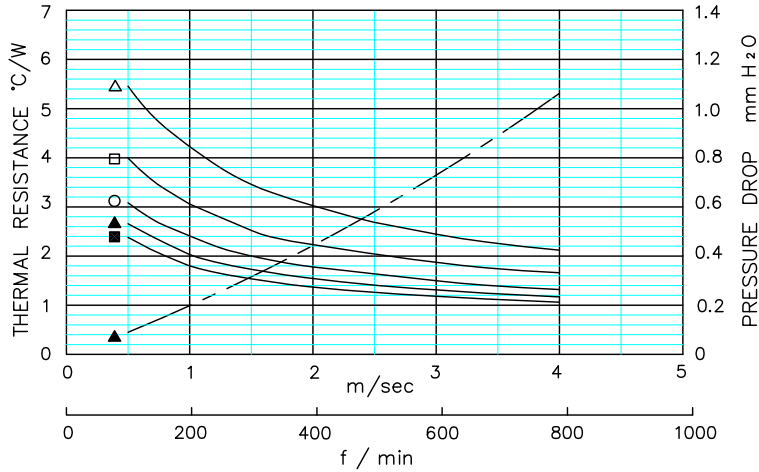
PHONE +1(408)567-8082

FAX +1(408)567-8053

E mail : sales@alphanovatech.com

URL : <http://www.alphanovatech.com>

DATA



AIR VELOCITY: DUCTED CONDITION

- △ QLPR40-10B
- QLPR40-15B
- QLPR40-20B
- ▲ QLPR40-25B
- QLPR40-30B

● DUCTED CONDITION
 DUMMY HEATER SIZE: 12.7 SQ
 THERMAL RESISTANCE _____
 PRESURE DROP - - - - -

■ BASED ON ALPHA'S STANDARD TEST PROCEDURE.
 REFER TO TECHNICAL INFORMATION.

REF



MODEL NAME INFORMATION

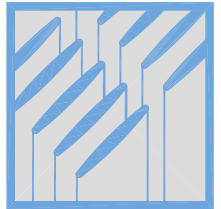
TO BUILD PART NUMBER, PLEASE VISIT OUR WEBSITE www.micforg.co.jp OR CONTACT ALPHA SALES.

Alpha Company Ltd.

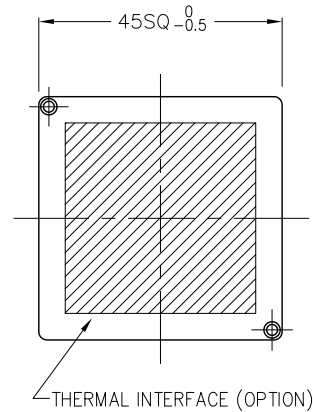
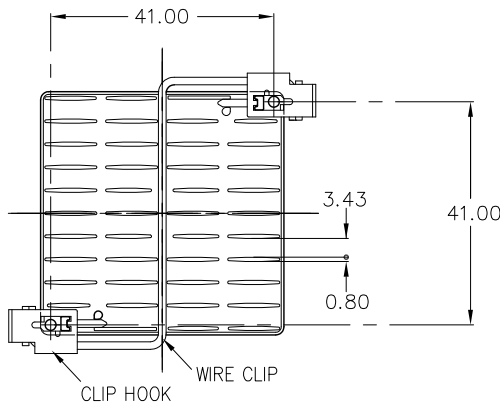
256-1 UEDA, NUMAZU-CITY SHIZUOKA-PREF., JAPAN
 PHONE +81(55)966 0789
 FAX +81(55)966 9192
 E mail : alpha@micforg.co.jp
 URL : <http://www.micforg.co.jp>

Alpha Novatech, Inc. - a subsidiary of Alpha Company.

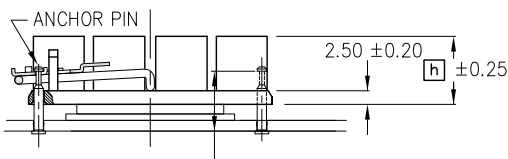
473 Sapena Ct. #12 Santa Clara, CA 95054 USA
 PHONE +1(408)567-8082
 FAX +1(408)567-8053
 E mail : sales@alphanovatech.com
 URL : <http://www.alphanovatech.com>



DIM



BOTTOM VIEW



ANCHOR PIN LENGTH : CAN SELECT 8.00, 11.00, 13.00, OR 16.00.

8.00 : ANCR-8

11.00 : ANCR-11

13.00 : ANCR-13

16.00 : ANCR-16

ATTACHMENT FORCE : REFER TO THE ● CLIP FORCE.

MATERIAL

HEATSINK : A6063 BLACK ANODIZE

WIRE CLIP : SW-C NICKEL PRECOATED

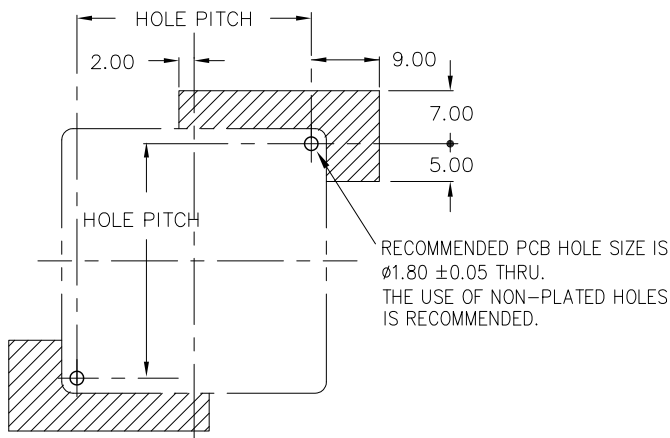
HOOK : STAINLESS STEEL 304

ANCHOR : STAINLESS STEEL 303

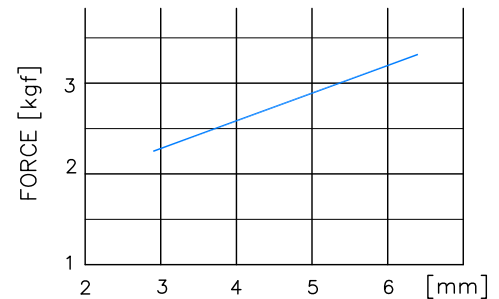
DIMENSIONS : mm

| BASIC HEATSINK MODEL NUMBER | OVERALL HEIGHT h | BASIC HEATSINK WEIGHT (grams) | FEATURES |
|-----------------------------|--------------------|-------------------------------|---|
| QLPR45-10B | 10 | 19.4 | LOW PRESSURE DROP HEATSINK. FOR LOW AIR FLOW OR NATURAL CONVECTION. |
| QLPR45-15B | 15 | 23.0 | |
| QLPR45-20B | 20 | 26.6 | |
| QLPR45-25B | 25 | 30.2 | |
| QLPR45-30B | 30 | 33.8 | |
| QLPR45-35B | 35 | 37.4 | |

● PCB HOLE PATTERN & SUGGESTED KEEP-OUT AREA



● CLIP FORCE



ANCR-8 : CHIP HEIGHT + PCB THK + 3.0

ANCR-11 : CHIP HEIGHT + PCB THK

ANCR-13 : CHIP HEIGHT + PCB THK - 2.0

ANCR-16 : CHIP HEIGHT + PCB THK - 5.0

Alpha Company Ltd.

256-1 UEDA, NUMAZU-CITY SHIZUOKA-PREF., JAPAN

PHONE +81(55)966 0789

FAX +81(55)966 9192

E mail : alpha@micforg.co.jp

URL : <http://www.micforg.co.jp>

Alpha Novatech, Inc. - a subsidiary of Alpha Company.

473 Sapena Ct. #12 Santa Clara, CA 95054 USA

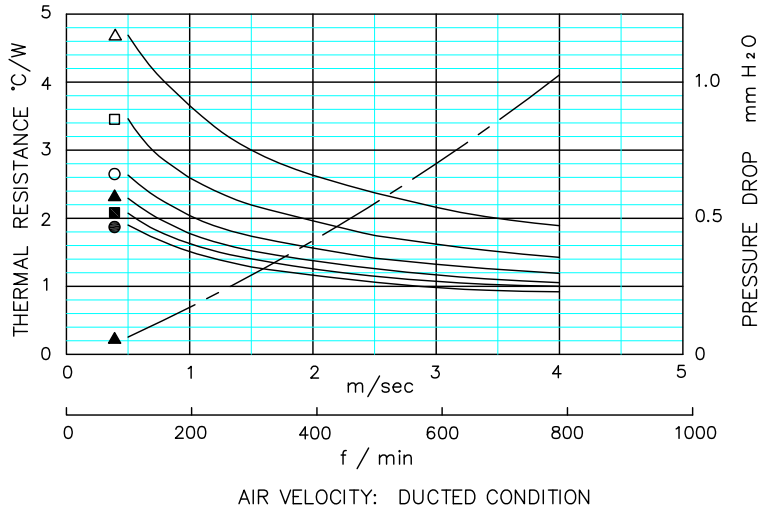
PHONE +1(408)567-8082

FAX +1(408)567-8053

E mail : sales@alphanovatech.com

URL : <http://www.alphanovatech.com>

DATA



- △ QLPR45-10B
- QLPR45-15B
- QLPR45-20B
- ▲ QLPR45-25B
- QLPR45-30B
- QLPR45-35B

- DUCTED CONDITION
- DUMMY HEATER SIZE: 12.7 SQ
- THERMAL RESISTANCE _____
- PRESURE DROP - - - - -
- BASED ON ALPHA'S STANDARD TEST PROCEDURE. REFER TO TECHNICAL INFORMATION.

REF



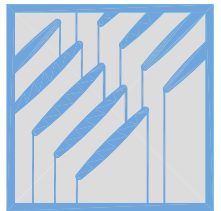
MODEL NAME INFORMATION
 TO BUILD PART NUMBER, PLEASE VISIT OUR WEBSITE www.micforg.co.jp OR CONTACT ALPHA SALES.

Alpha Company Ltd.

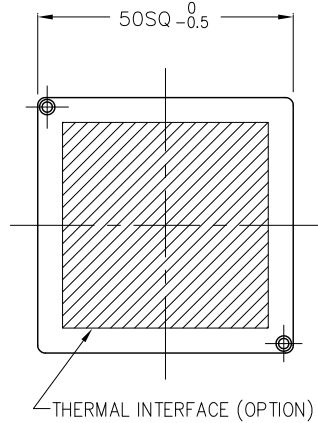
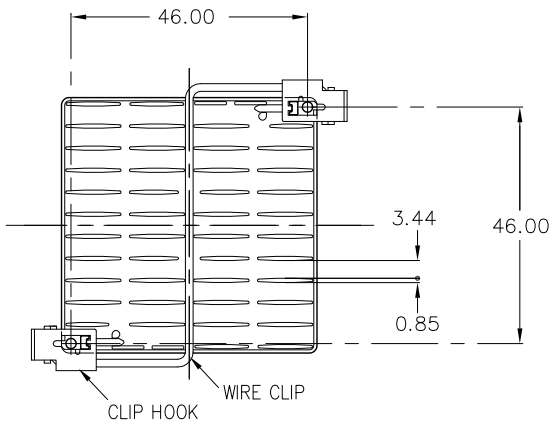
256-1 UEDA, NUMAZU-CITY SHIZUOKA-PREF., JAPAN
 PHONE +81(55)966 0789
 FAX +81(55)966 9192
 E mail : alpha@micforg.co.jp
 URL : <http://www.micforg.co.jp>

Alpha Novatech, Inc. - a subsidiary of Alpha Company.

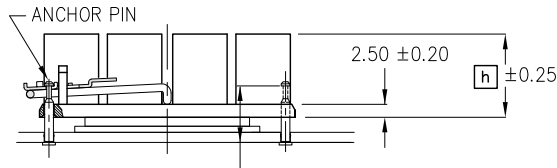
473 Sapena Ct. #12 Santa Clara, CA 95054 USA
 PHONE +1(408)567-8082
 FAX +1(408)567-8053
 E mail : sales@alphanovatech.com
 URL : <http://www.alphanovatech.com>



DIM



BOTTOM VIEW



ANCHOR PIN LENGTH : CAN SELECT 8.00, 11.00, 13.00, OR 16.00.

- 8.00 : ANCR-8
- 11.00 : ANCR-11
- 13.00 : ANCR-13
- 16.00 : ANCR-16

ATTACHMENT FORCE : REFER TO THE ● CLIP FORCE.

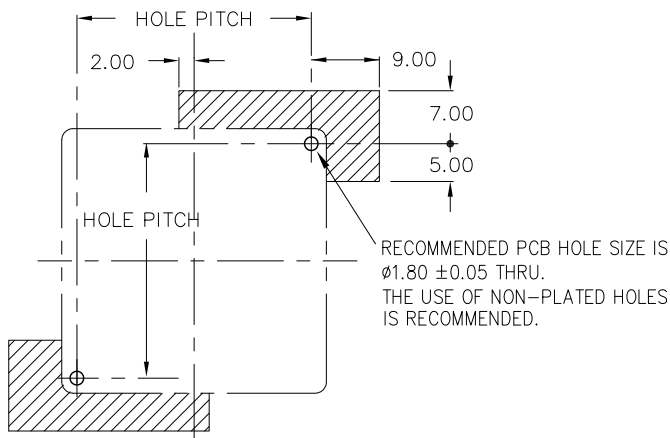
MATERIAL

- HEATSINK : A6063 BLACK ANODIZE
- WIRE CLIP : SW-C NICKEL PRECOATED
- HOOK : STAINLESS STEEL 304
- ANCHOR : STAINLESS STEEL 303

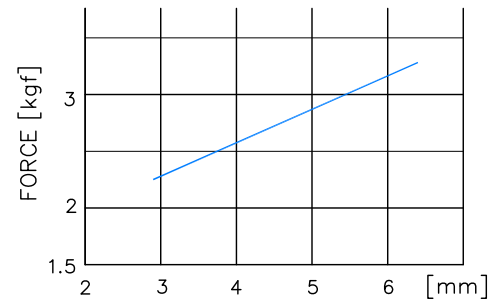
DIMENSIONS : mm

| BASIC HEATSINK MODEL NUMBER | OVERALL HEIGHT [h] | BASIC HEATSINK WEIGHT (grams) | FEATURES |
|-----------------------------|--------------------|-------------------------------|---|
| QLPR50-10B | 10 | 24.1 | LOW PRESSURE DROP HEATSINK. FOR LOW AIR FLOW OR NATURAL CONVECTION. |
| QLPR50-15B | 15 | 28.6 | |
| QLPR50-20B | 20 | 33.1 | |
| QLPR50-25B | 25 | 37.6 | |
| QLPR50-30B | 30 | 42.1 | |
| QLPR50-35B | 35 | 46.6 | |

● PCB HOLE PATTERN & SUGGESTED KEEP-OUT AREA



● CLIP FORCE



- ANCR-8 : CHIP HEIGHT + PCB THK + 3.0
- ANCR-11 : CHIP HEIGHT + PCB THK
- ANCR-13 : CHIP HEIGHT + PCB THK - 2.0
- ANCR-16 : CHIP HEIGHT + PCB THK - 5.0

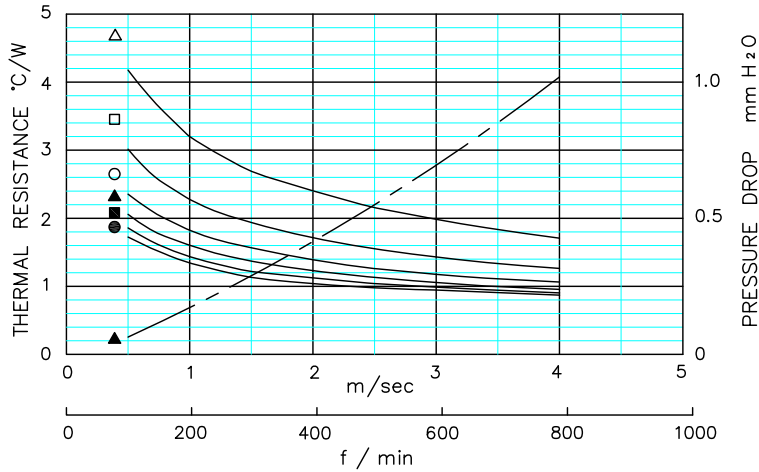
Alpha Company Ltd.

256-1 UEDA, NUMAZU-CITY SHIZUOKA-PREF., JAPAN
 PHONE +81(55)966 0789
 FAX +81(55)966 9192
 E mail : alpha@micforg.co.jp
 URL : http://www.micforg.co.jp

Alpha Novatech, Inc. - a subsidiary of Alpha Company.

473 Sapena Ct. #12 Santa Clara, CA 95054 USA
 PHONE +1(408)567-8082
 FAX +1(408)567-8053
 E mail : sales@alphanovatech.com
 URL : http://www.alphanovatech.com

DATA



- △ QLPR50-10B
- QLPR50-15B
- QLPR50-20B
- ▲ QLPR50-25B
- QLPR50-30B
- QLPR50-35B

● DUCTED CONDITION
 DUMMY HEATER SIZE: 12.7 SQ
 THERMAL RESISTANCE ———
 PRESSURE DROP - - - - -

■ BASED ON ALPHA'S STANDARD TEST PROCEDURE. REFER TO TECHNICAL INFORMATION.

AIR VELOCITY: DUCTED CONDITION

REF



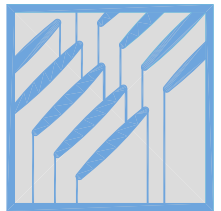
MODEL NAME INFORMATION
 TO BUILD PART NUMBER, PLEASE VISIT OUR WEBSITE www.micforg.co.jp OR CONTACT ALPHA SALES.

Alpha Company Ltd.

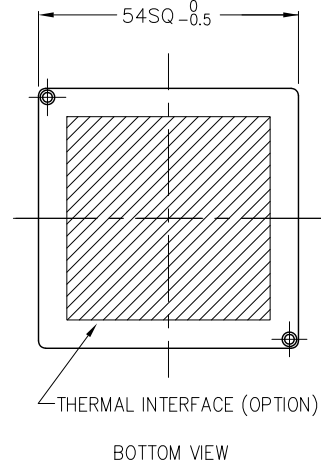
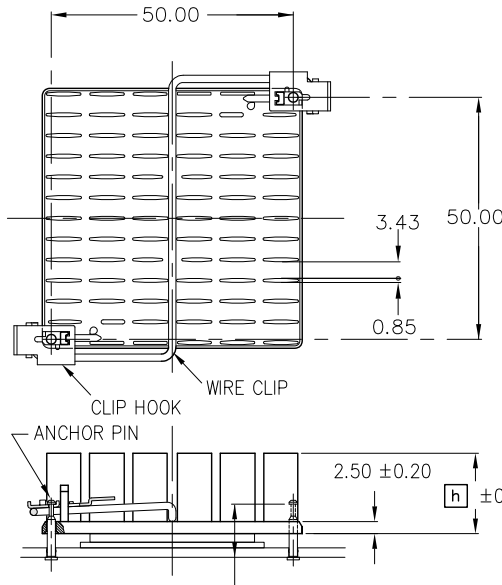
256-1 UEDA, NUMAZU-CITY SHIZUOKA-PREF., JAPAN
 PHONE +81(55)966 0789
 FAX +81(55)966 9192
 E mail : alpha@micforg.co.jp
 URL : <http://www.micforg.co.jp>

Alpha Novatech, Inc. - a subsidiary of Alpha Company.

473 Sapena Ct. #12 Santa Clara, CA 95054 USA
 PHONE +1(408)567-8082
 FAX +1(408)567-8053
 E mail : sales@alphanovatech.com
 URL : <http://www.alphanovatech.com>



DIM



ANCHOR PIN LENGTH : CAN SELECT 8.00, 11.00, 13.00, OR 16.00.

- 8.00 : ANCR-8
- 11.00 : ANCR-11
- 13.00 : ANCR-13
- 16.00 : ANCR-16

ATTACHMENT FORCE : REFER TO THE ● CLIP FORCE.

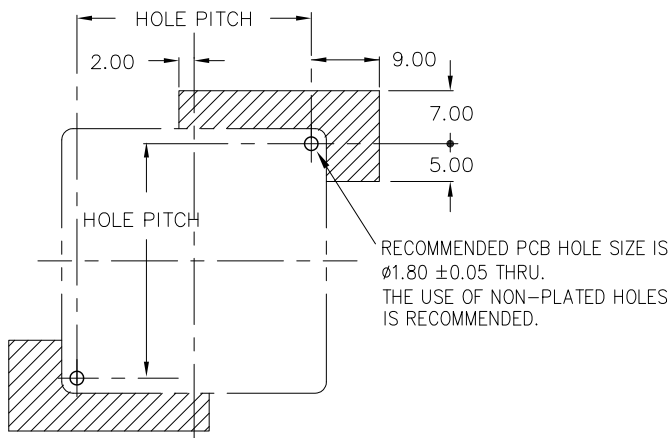
MATERIAL

- HEATSINK : A6063 BLACK ANODIZE
- WIRE CLIP : SW-C NICKEL PRECOATED
- HOOK : STAINLESS STEEL 304
- ANCHOR : STAINLESS STEEL 303

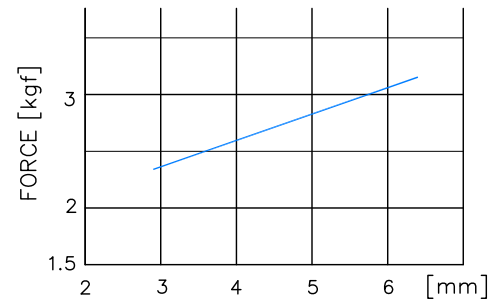
DIMENSIONS : mm

| BASIC HEATSINK MODEL NUMBER | OVERALL HEIGHT [h] | BASIC HEATSINK WEIGHT (grams) | FEATURES |
|-----------------------------|--------------------|-------------------------------|---|
| QLPR54-10B | 10 | 27.6 | LOW PRESSURE DROP HEATSINK. FOR LOW AIR FLOW OR NATURAL CONVECTION. |
| QLPR54-15B | 15 | 32.7 | |
| QLPR54-20B | 20 | 37.8 | |
| QLPR54-25B | 25 | 42.9 | |
| QLPR54-30B | 30 | 48.0 | |
| QLPR54-35B | 35 | 53.1 | |

● PCB HOLE PATTERN & SUGGESTED KEEP-OUT AREA



● CLIP FORCE



- ANCR-8 : CHIP HEIGHT + PCB THK + 3.0
- ANCR-11 : CHIP HEIGHT + PCB THK
- ANCR-13 : CHIP HEIGHT + PCB THK - 2.0
- ANCR-16 : CHIP HEIGHT + PCB THK - 5.0

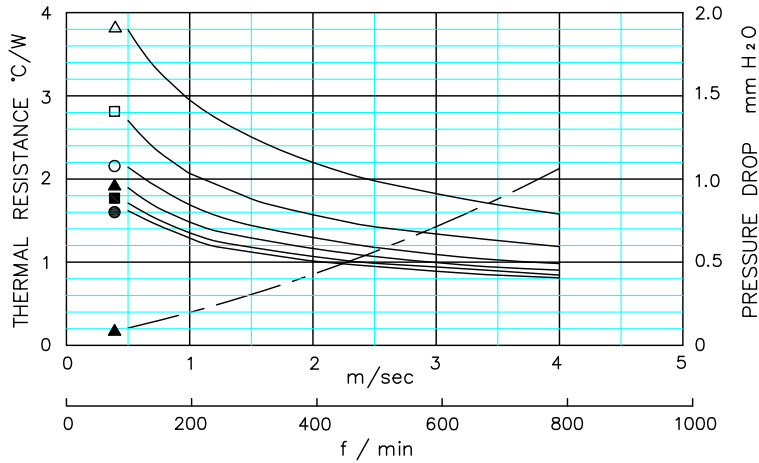
Alpha Company Ltd.

256-1 UEDA, NUMAZU-CITY SHIZUOKA-PREF., JAPAN
 PHONE +81(55)966 0789
 FAX +81(55)966 9192
 E mail : alpha@micforg.co.jp
 URL : http://www.micforg.co.jp

Alpha Novatech, Inc. - a subsidiary of Alpha Company.

473 Sapena Ct. #12 Santa Clara, CA 95054 USA
 PHONE +1(408)567-8082
 FAX +1(408)567-8053
 E mail : sales@alphanovatech.com
 URL : http://www.alphanovatech.com

DATA



AIR VELOCITY: DUCTED CONDITION

- △ QLPR54-10B
- QLPR54-15B
- QLPR54-20B
- ▲ QLPR54-25B
- QLPR54-30B
- QLPR54-35B

- DUCTED CONDITION
- DUMMY HEATER SIZE: 12.7 SQ
- THERMAL RESISTANCE _____
- PRESURE DROP - - - - -
- BASED ON ALPHA'S STANDARD TEST PROCEDURE. REFER TO TECHNICAL INFORMATION.

REF



MODEL NAME INFORMATION

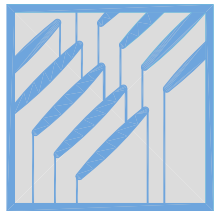
TO BUILD PART NUMBER, PLEASE VISIT OUR WEBSITE www.micforg.co.jp OR CONTACT ALPHA SALES.

Alpha Company Ltd.

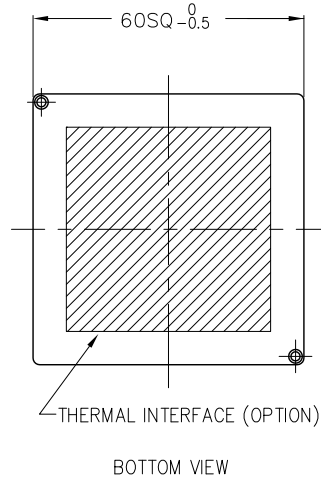
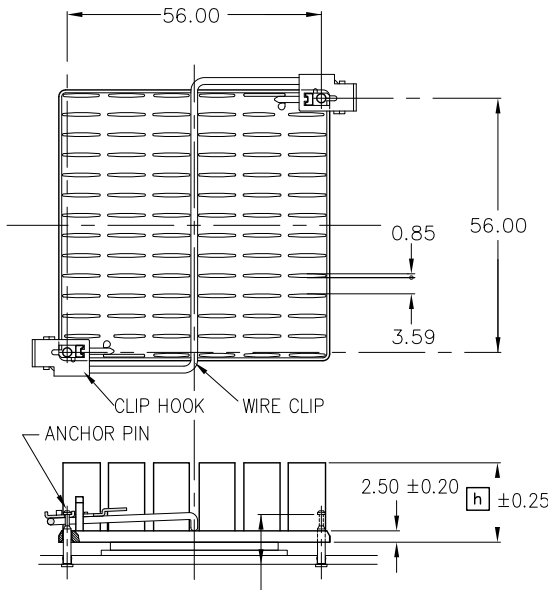
256-1 UEDA, NUMAZU-CITY SHIZUOKA-PREF., JAPAN
 PHONE +81(55)966 0789
 FAX +81(55)966 9192
 E mail : alpha@micforg.co.jp
 URL : <http://www.micforg.co.jp>

Alpha Novatech, Inc. - a subsidiary of Alpha Company.

473 Sapena Ct. #12 Santa Clara, CA 95054 USA
 PHONE +1(408)567-8082
 FAX +1(408)567-8053
 E mail : sales@alphanovatech.com
 URL : <http://www.alphanovatech.com>



DIM



ANCHOR PIN LENGTH : CAN SELECT 8.00, 11.00, 13.00, OR 16.00.
 8.00 : ANCR-8
 11.00 : ANCR-11
 13.00 : ANCR-13
 16.00 : ANCR-16

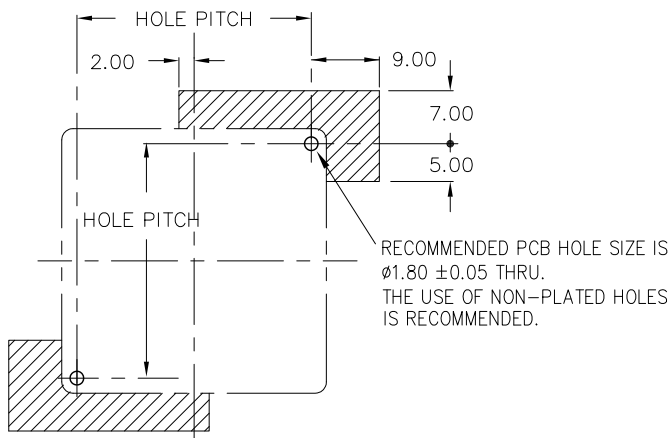
ATTACHMENT FORCE : REFER TO THE ● CLIP FORCE.

MATERIAL
 HEATSINK : A6063 BLACK ANODIZE
 WIRE CLIP : SW-C NICKEL PRECOATED
 HOOK : STAINLESS STEEL 304
 ANCHOR : STAINLESS STEEL 303

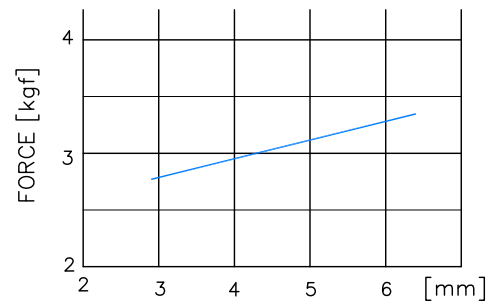
DIMENSIONS : mm

| BASIC HEATSINK MODEL NUMBER | OVERALL HEIGHT [h] | BASIC HEATSINK WEIGHT (grams) | FEATURES |
|-----------------------------|--------------------|-------------------------------|---|
| QLPR60-10B | 10 | 34.8 | LOW PRESSURE DROP HEATSINK. FOR LOW AIR FLOW OR NATURAL CONVECTION. |
| QLPR60-15B | 15 | 41.0 | |
| QLPR60-20B | 20 | 47.2 | |
| QLPR60-25B | 25 | 53.4 | |
| QLPR60-30B | 30 | 59.5 | |
| QLPR60-35B | 35 | 65.6 | |

● PCB HOLE PATTERN & SUGGESTED KEEP-OUT AREA



● CLIP FORCE



ANCR-8 : CHIP HEIGHT + PCB THK + 3.0
 ANCR-11 : CHIP HEIGHT + PCB THK
 ANCR-13 : CHIP HEIGHT + PCB THK - 2.0
 ANCR-16 : CHIP HEIGHT + PCB THK - 5.0

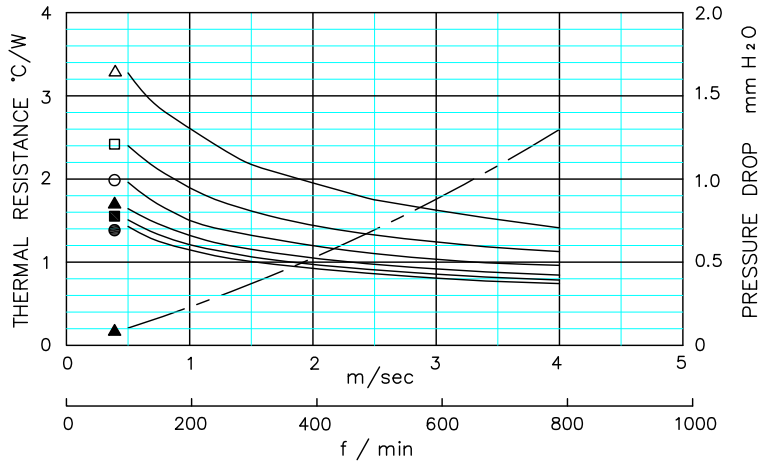
Alpha Company Ltd.

256-1 UEDA, NUMAZU-CITY SHIZUOKA-PREF., JAPAN
 PHONE +81(55)966 0789
 FAX +81(55)966 9192
 E mail : alpha@micforg.co.jp
 URL : http://www.micforg.co.jp

Alpha Novatech, Inc. - a subsidiary of Alpha Company.

473 Sapena Ct. #12 Santa Clara, CA 95054 USA
 PHONE +1(408)567-8082
 FAX +1(408)567-8053
 E mail : sales@alphanovatech.com
 URL : http://www.alphanovatech.com

DATA



- △ QLPR60-10B
- QLPR60-15B
- QLPR60-20B
- ▲ QLPR60-25B
- QLPR60-30B
- QLPR60-35B

● DUCTED CONDITION
 DUMMY HEATER SIZE: 12.7 SQ
 THERMAL RESISTANCE ———
 PRESURE DROP - - - - -

■ BASED ON ALPHA'S STANDARD TEST PROCEDURE. REFER TO TECHNICAL INFORMATION.

AIR VELOCITY: DUCTED CONDITION

REF



MODEL NAME INFORMATION
 TO BUILD PART NUMBER, PLEASE VISIT OUR WEBSITE www.micforg.co.jp OR CONTACT ALPHA SALES.

Alpha Company Ltd.

256-1 UEDA, NUMAZU-CITY SHIZUOKA-PREF., JAPAN
 PHONE +81(55)966 0789
 FAX +81(55)966 9192
 E mail : alpha@micforg.co.jp
 URL : <http://www.micforg.co.jp>

Alpha Novatech, Inc. - a subsidiary of Alpha Company.

473 Sapena Ct. #12 Santa Clara, CA 95054 USA
 PHONE +1(408)567-8082
 FAX +1(408)567-8053
 E mail : sales@alphanovatech.com
 URL : <http://www.alphanovatech.com>