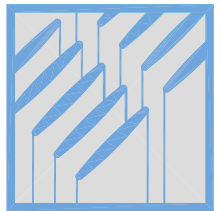


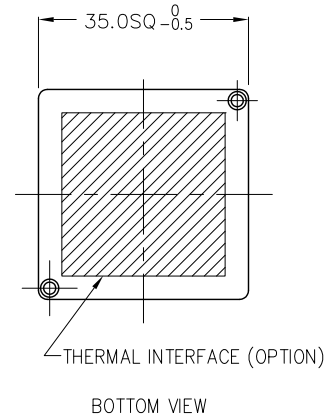
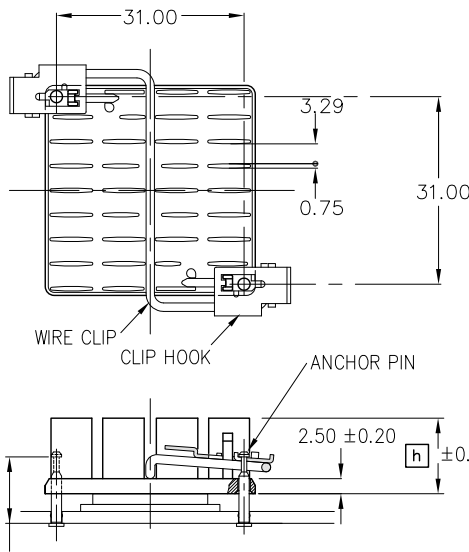


QuickSet Series
QLPL

ALPHA



DIM



ANCHOR PIN LENGTH

8.00 = ANCR-8

11.00 = ANCR-11

13.00 = ANCR-13

16.00 = ANCR-16

REFER TO [● CLIP FORCE] AND SELECT ANCHOR PIN

MATERIAL

HEATSINK : A6063 BLACK ANODIZE

WIRE CLIP : SW-C NICKEL PRECOATED

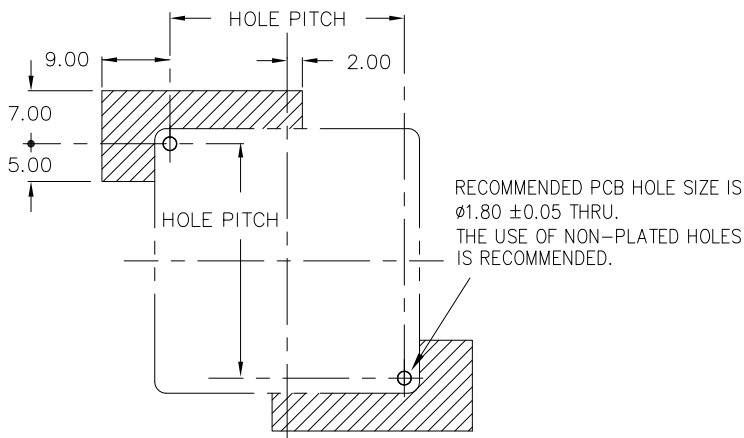
HOOK : STAINLESS STEEL 304

ANCHOR : STAINLESS STEEL 303

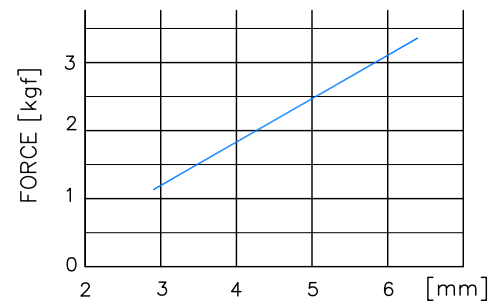
DIMENSIONS : mm

BASIC HEATSINK MODEL NUMBER	OVERALL HEIGHT [h]	BASIC HEATSINK WEIGHT (grams)	FEATURES
QLPL35-10B	10	11.3	LOW PRESSURE DROP HEATSINK. FOR LOW AIR FLOW OR NATURAL CONVECTION.
QLPL35-15B	15	13.3	
QLPL35-20B	20	15.3	
QLPL35-25B	25	17.3	
QLPL35-30B	30	19.3	

● PCB HOLE PATTERN & SUGGESTED KEEP-OUT AREA



● CLIP FORCE



ANCR-8 : CHIP HEIGHT + PCB THK + 3.0

ANCR-11 : CHIP HEIGHT + PCB THK

ANCR-13 : CHIP HEIGHT + PCB THK - 2.0

ANCR-16 : CHIP HEIGHT + PCB THK - 5.0

Alpha Company Ltd.

256-1 UEDA, NUMAZU-CITY SHIZUOKA-PREF., JAPAN

PHONE +81(55)966 0789

FAX +81(55)966 9192

E mail : alpha@micforg.co.jp

URL : http://www.micforg.co.jp

Alpha Novatech, Inc. - a subsidiary of Alpha Company.

473 Sapena Ct. #12 Santa Clara, CA 95054 USA

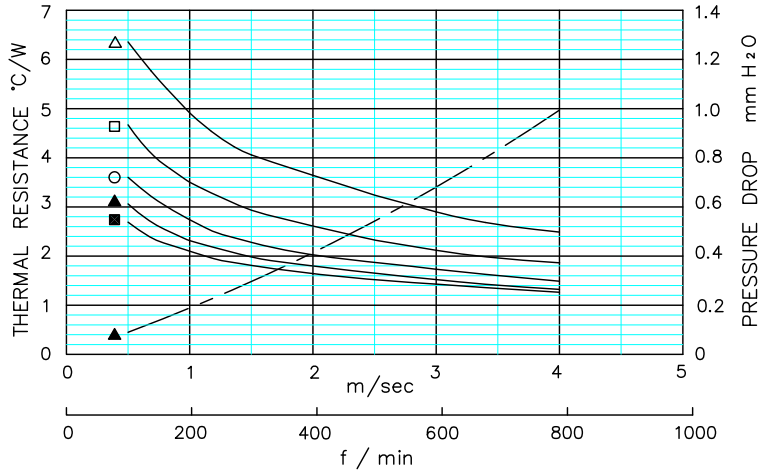
PHONE +1(408)567-8082

FAX +1(408)567-8053

E mail : sales@alphanovatech.com

URL : http://www.alphanovatech.com

DATA



- △ QLPL35-10B
 - QLPL35-15B
 - QLPL35-20B
 - ▲ QLPL35-25B
 - QLPL35-30B
- DUCTED CONDITION
 DUMMY HEATER SIZE: 12.7 SQ
 THERMAL RESISTANCE _____
 PRESURE DROP - - - - -
- BASED ON ALPHA'S STANDARD TEST PROCEDURE.
 REFER TO TECHNICAL INFORMATION.

AIR VELOCITY: DUCTED CONDITION

REF



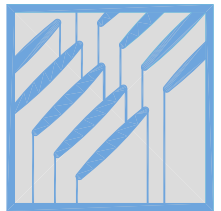
MODEL NAME INFORMATION
 TO BUILD PART NUMBER, PLEASE VISIT OUR WEBSITE www.micforg.co.jp OR CONTACT ALPHA SALES.

Alpha Company Ltd.

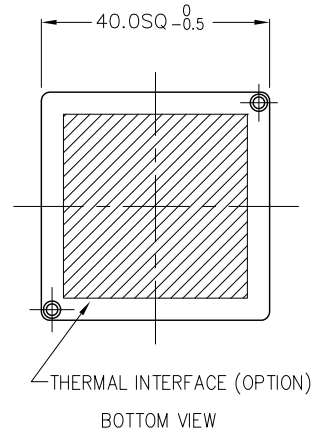
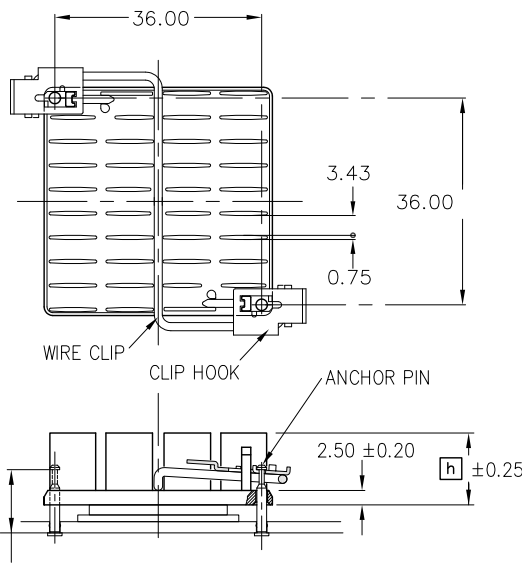
256-1 UEDA, NUMAZU-CITY SHIZUOKA-PREF., JAPAN
 PHONE +81(55)966 0789
 FAX +81(55)966 9192
 E mail : alpha@micforg.co.jp
 URL : <http://www.micforg.co.jp>

Alpha Novatech, Inc. - a subsidiary of Alpha Company.

473 Sapena Ct. #12 Santa Clara, CA 95054 USA
 PHONE +1(408)567-8082
 FAX +1(408)567-8053
 E mail : sales@alphanovatech.com
 URL : <http://www.alphanovatech.com>



DIM



ANCHOR PIN LENGTH

- 8.00 = ANCR-8
- 11.00 = ANCR-11
- 13.00 = ANCR-13
- 16.00 = ANCR-16

REFER TO [● CLIP FORCE] AND SELECT ANCHOR PIN

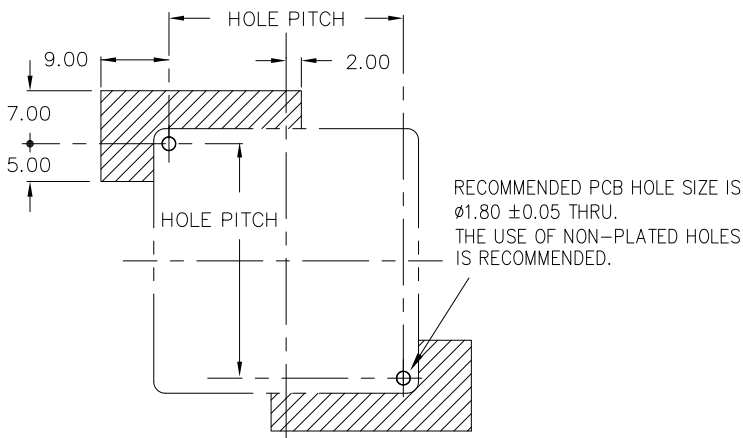
MATERIAL

- HEATSINK : A6063 BLACK ANODIZE
- WIRE CLIP : SW-C NICKEL PRECOATED
- HOOK : STAINLESS STEEL 304
- ANCHOR : STAINLESS STEEL 303

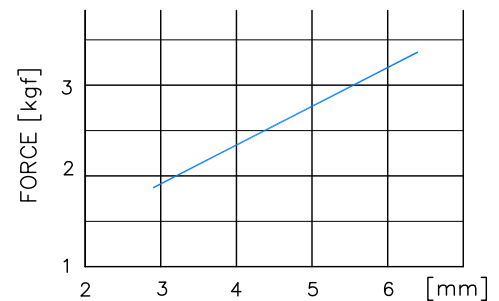
DIMENSIONS : mm

BASIC HEATSINK MODEL NUMBER	OVERALL HEIGHT [h]	BASIC HEATSINK WEIGHT (grams)	FEATURES
QLPL40-10B	10	14.8	LOW PRESSURE DROP HEATSINK. FOR LOW AIR FLOW OR NATURAL CONVECTION.
QLPL40-15B	15	17.5	
QLPL40-20B	20	20.2	
QLPL40-25B	25	22.9	
QLPL40-30B	30	25.6	

● PCB HOLE PATTERN & SUGGESTED KEEP-OUT AREA



● CLIP FORCE



- ANCR-8 : CHIP HEIGHT + PCB THK + 3.0
- ANCR-11 : CHIP HEIGHT + PCB THK
- ANCR-13 : CHIP HEIGHT + PCB THK - 2.0
- ANCR-16 : CHIP HEIGHT + PCB THK - 5.0

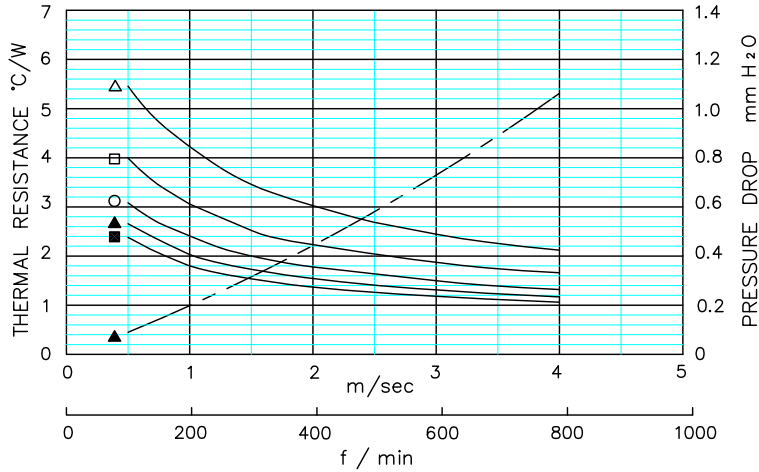
Alpha Company Ltd.

256-1 UEDA, NUMAZU-CITY SHIZUOKA-PREF., JAPAN
 PHONE +81(55)966 0789
 FAX +81(55)966 9192
 E mail : alpha@micforg.co.jp
 URL : http://www.micforg.co.jp

Alpha Novatech, Inc. - a subsidiary of Alpha Company.

473 Sapena Ct. #12 Santa Clara, CA 95054 USA
 PHONE +1(408)567-8082
 FAX +1(408)567-8053
 E mail : sales@alphanovatech.com
 URL : http://www.alphanovatech.com

DATA



- △ QLPL40-10B
- QLPL40-15B
- QLPL40-20B
- ▲ QLPL40-25B
- QLPL40-30B

- DUCTED CONDITION
DUMMY HEATER SIZE: 12.7 SQ
THERMAL RESISTANCE _____
PRESURE DROP - - - - -
- BASED ON ALPHA'S STANDARD TEST PROCEDURE.
REFER TO TECHNICAL INFORMATION.

AIR VELOCITY: DUCTED CONDITION

REF



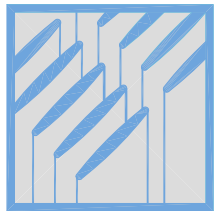
MODEL NAME INFORMATION
TO BUILD PART NUMBER, PLEASE VISIT OUR WEBSITE www.micforg.co.jp OR CONTACT ALPHA SALES.

Alpha Company Ltd.

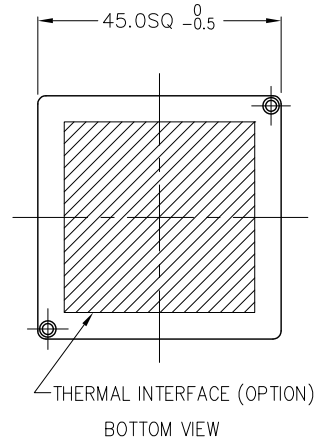
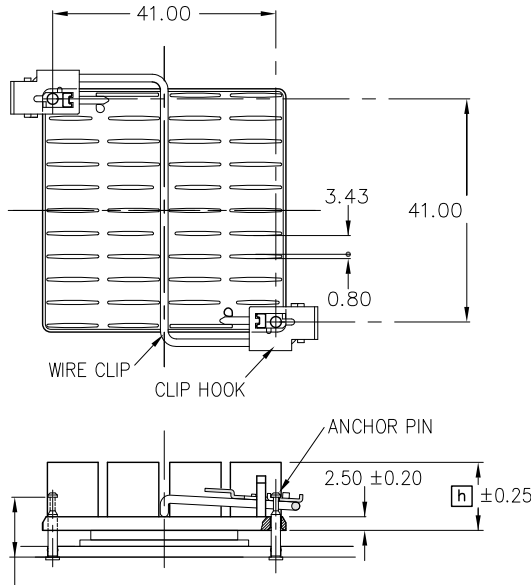
256-1 UEDA, NUMAZU-CITY SHIZUOKA-PREF., JAPAN
PHONE +81(55)966 0789
FAX +81(55)966 9192
E mail : alpha@micforg.co.jp
URL : <http://www.micforg.co.jp>

Alpha Novatech, Inc. - a subsidiary of Alpha Company.

473 Sapena Ct. #12 Santa Clara, CA 95054 USA
PHONE +1(408)567-8082
FAX +1(408)567-8053
E mail : sales@alphanovatech.com
URL : <http://www.alphanovatech.com>



DIM



ANCHOR PIN LENGTH
 8.00 = ANCR-8
 11.00 = ANCR-11
 13.00 = ANCR-13
 16.00 = ANCR-16

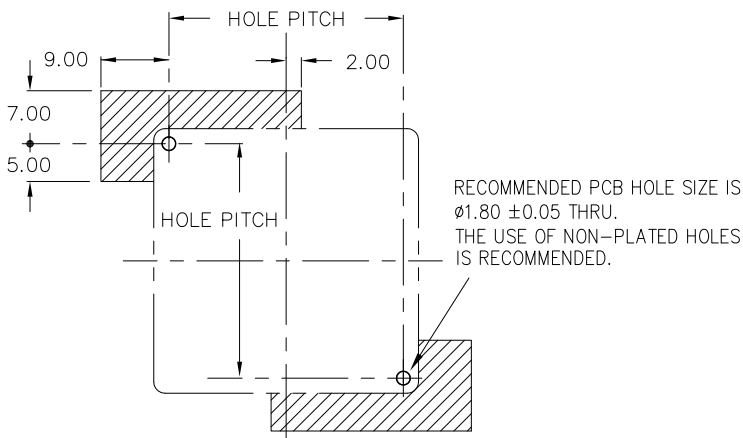
REFER TO [● CLIP FORCE] AND SELECT ANCHOR PIN

MATERIAL
 HEATSINK : A6063 BLACK ANODIZE
 WIRE CLIP : SW-C NICKEL PRECOATED
 HOOK : STAINLESS STEEL 304
 ANCHOR : STAINLESS STEEL 303

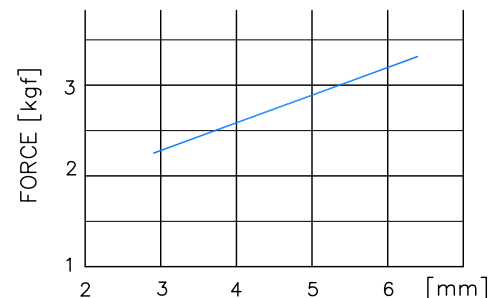
DIMENSIONS : mm

BASIC HEATSINK MODEL NUMBER	OVERALL HEIGHT [h]	BASIC HEATSINK WEIGHT (grams)	FEATURES
QLPL45-10B	10	19.4	LOW PRESSURE DROP HEATSINK. FOR LOW AIR FLOW OR NATURAL CONVECTION.
QLPL45-15B	15	23.0	
QLPL45-20B	20	26.6	
QLPL45-25B	25	30.2	
QLPL45-30B	30	33.8	
QLPL45-35B	35	37.4	

● PCB HOLE PATTERN & SUGGESTED KEEP-OUT AREA



● CLIP FORCE



ANCR-8 : CHIP HEIGHT + PCB THK + 3.0
 ANCR-11 : CHIP HEIGHT + PCB THK
 ANCR-13 : CHIP HEIGHT + PCB THK - 2.0
 ANCR-16 : CHIP HEIGHT + PCB THK - 5.0

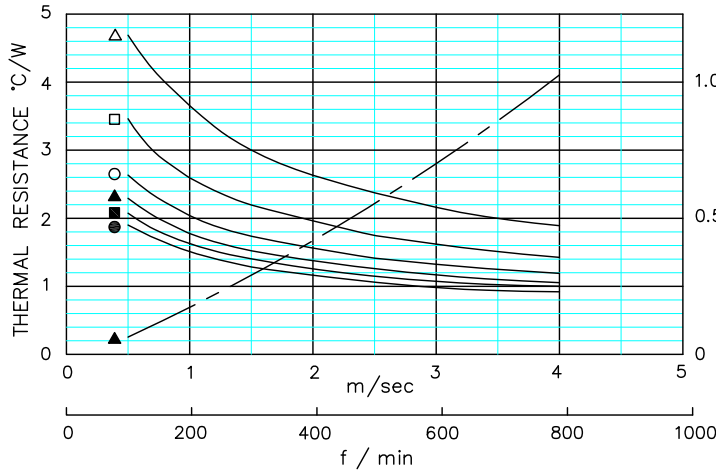
Alpha Company Ltd.

256-1 UEDA, NUMAZU-CITY SHIZUOKA-PREF., JAPAN
 PHONE +81(55)966 0789
 FAX +81(55)966 9192
 E mail : alpha@micforg.co.jp
 URL : http://www.micforg.co.jp

Alpha Novatech, Inc. - a subsidiary of Alpha Company.

473 Sapena Ct. #12 Santa Clara, CA 95054 USA
 PHONE +1(408)567-8082
 FAX +1(408)567-8053
 E mail : sales@alphanovatech.com
 URL : http://www.alphanovatech.com

DATA



- △ QLPL45-10B
- QLPL45-15B
- QLPL45-20B
- ▲ QLPL45-25B
- QLPL45-30B
- QLPL45-35B

- DUCTED CONDITION
DUMMY HEATER SIZE: 12.7 SQ
THERMAL RESISTANCE _____
PRESURE DROP - - - - -
- BASED ON ALPHA'S STANDARD TEST PROCEDURE.
REFER TO TECHNICAL INFORMATION.

AIR VELOCITY: DUCTED CONDITION

REF



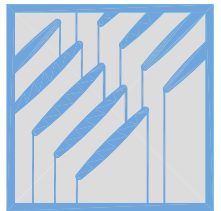
MODEL NAME INFORMATION
TO BUILD PART NUMBER, PLEASE VISIT OUR WEBSITE www.micforg.co.jp OR CONTACT ALPHA SALES.

Alpha Company Ltd.

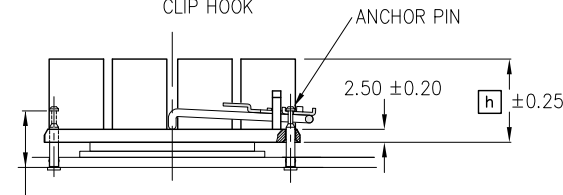
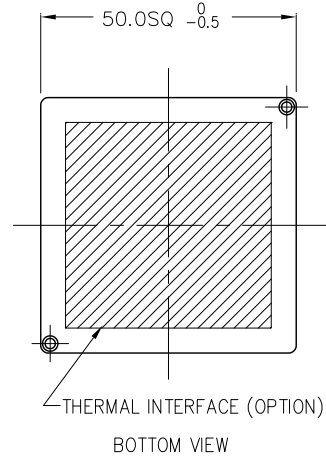
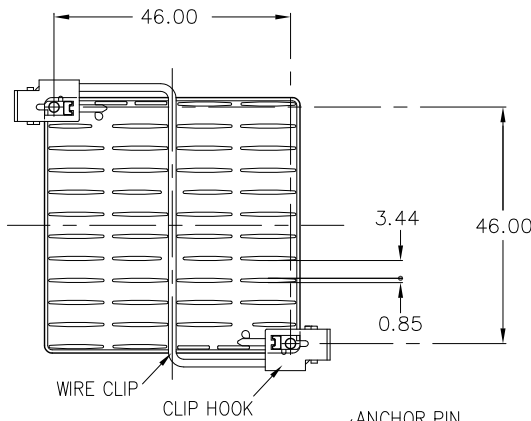
256-1 UEDA, NUMAZU-CITY SHIZUOKA-PREF., JAPAN
 PHONE +81(55)966 0789
 FAX +81(55)966 9192
 E mail : alpha@micforg.co.jp
 URL : <http://www.micforg.co.jp>

Alpha Novatech, Inc. - a subsidiary of Alpha Company.

473 Sapena Ct. #12 Santa Clara, CA 95054 USA
 PHONE +1(408)567-8082
 FAX +1(408)567-8053
 E mail : sales@alphanovatech.com
 URL : <http://www.alphanovatech.com>



DIM



ANCHOR PIN LENGTH
 8.00 = ANCR-8
 11.00 = ANCR-11
 13.00 = ANCR-13
 16.00 = ANCR-16

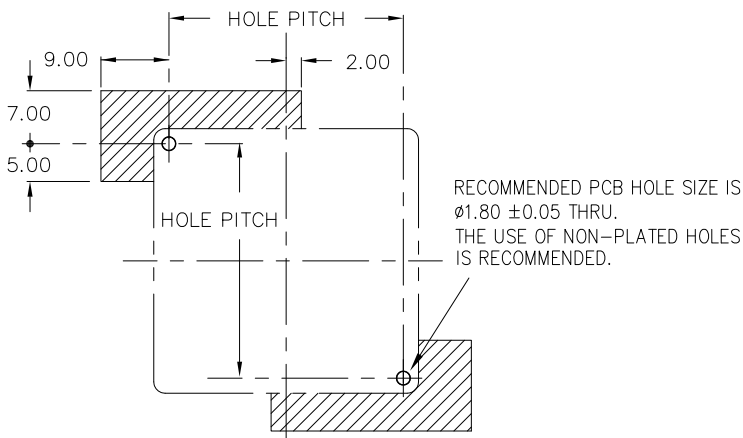
REFER TO [● CLIP FORCE] AND SELECT ANCHOR PIN

MATERIAL
 HEATSINK : A6063 BLACK ANODIZE
 WIRE CLIP : SW-C NICKEL PRECOATED
 HOOK : STAINLESS STEEL 304
 ANCHOR : STAINLESS STEEL 303

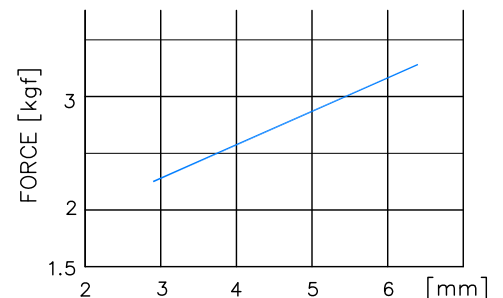
DIMENSIONS : mm

BASIC HEATSINK MODEL NUMBER	OVERALL HEIGHT h	BASIC HEATSINK WEIGHT (grams)	FEATURES
QLPL50-10B	10	24.1	LOW PRESSURE DROP HEATSINK. FOR LOW AIR FLOW OR NATURAL CONVECTION.
QLPL50-15B	15	28.6	
QLPL50-20B	20	33.1	
QLPL50-25B	25	37.6	
QLPL50-30B	30	42.1	
QLPL50-35B	35	46.6	

● PCB HOLE PATTERN & SUGGESTED KEEP-OUT AREA



● CLIP FORCE



ANCR-8 : CHIP HEIGHT + PCB THK + 3.0
 ANCR-11 : CHIP HEIGHT + PCB THK
 ANCR-13 : CHIP HEIGHT + PCB THK - 2.0
 ANCR-16 : CHIP HEIGHT + PCB THK - 5.0

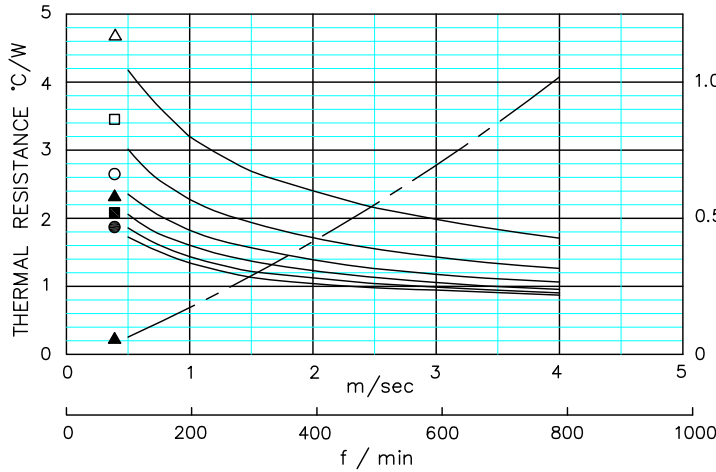
Alpha Company Ltd.

256-1 UEDA, NUMAZU-CITY SHIZUOKA-PREF., JAPAN
 PHONE +81(55)966 0789
 FAX +81(55)966 9192
 E mail : alpha@micforg.co.jp
 URL : http://www.micforg.co.jp

Alpha Novatech, Inc. - a subsidiary of Alpha Company.

473 Sapena Ct. #12 Santa Clara, CA 95054 USA
 PHONE +1(408)567-8082
 FAX +1(408)567-8053
 E mail : sales@alphanovatech.com
 URL : http://www.alphanovatech.com

DATA



- △ QLPL50-10B
- QLPL50-15B
- QLPL50-20B
- ▲ QLPL50-25B
- QLPL50-30B
- QLPL50-35B

● DUCTED CONDITION
 DUMMY HEATER SIZE: 12.7 SQ
 THERMAL RESISTANCE _____
 PRESURE DROP - - - - -

■ BASED ON ALPHA'S STANDARD TEST PROCEDURE. REFER TO TECHNICAL INFORMATION.

AIR VELOCITY: DUCTED CONDITION

REF



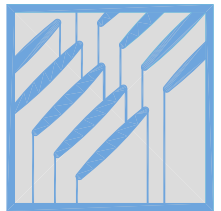
MODEL NAME INFORMATION
 TO BUILD PART NUMBER, PLEASE VISIT OUR WEBSITE www.micforg.co.jp OR CONTACT ALPHA SALES.

Alpha Company Ltd.

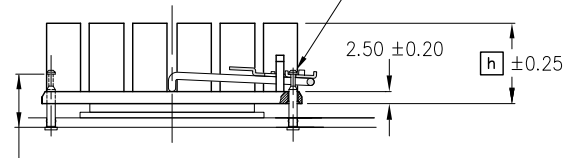
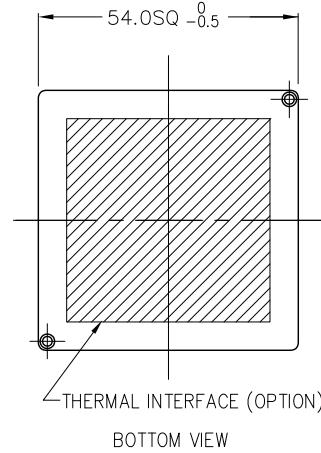
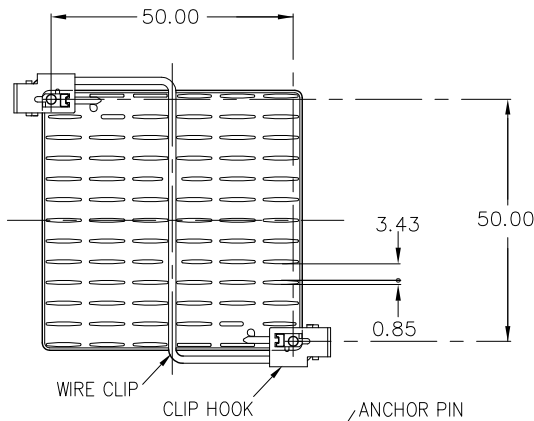
256-1 UEDA, NUMAZU-CITY SHIZUOKA-PREF., JAPAN
 PHONE +81(55)966 0789
 FAX +81(55)966 9192
 E mail : alpha@micforg.co.jp
 URL : <http://www.micforg.co.jp>

Alpha Novatech, Inc. - a subsidiary of Alpha Company.

473 Sapena Ct. #12 Santa Clara, CA 95054 USA
 PHONE +1(408)567-8082
 FAX +1(408)567-8053
 E mail : sales@alphanovatech.com
 URL : <http://www.alphanovatech.com>



DIM



ANCHOR PIN LENGTH
 8.00 = ANCR-8
 11.00 = ANCR-11
 13.00 = ANCR-13
 16.00 = ANCR-16

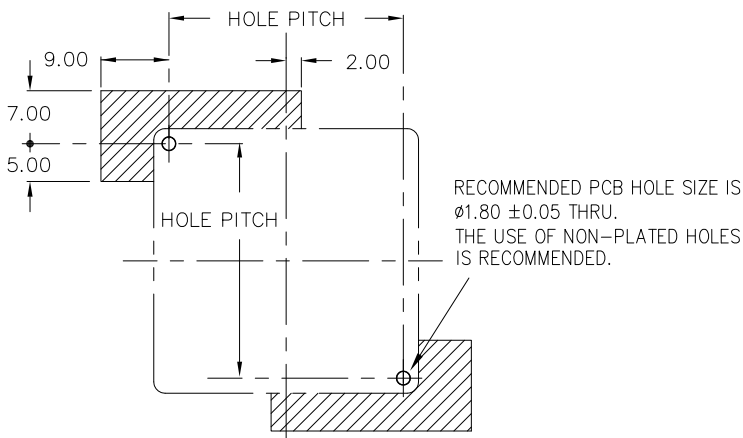
REFER TO [● CLIP FORCE] AND SELECT ANCHOR PIN

MATERIAL
 HEATSINK : A6063 BLACK ANODIZE
 WIRE CLIP : SW-C NICKEL PRECOATED
 HOOK : STAINLESS STEEL 304
 ANCHOR : STAINLESS STEEL 303

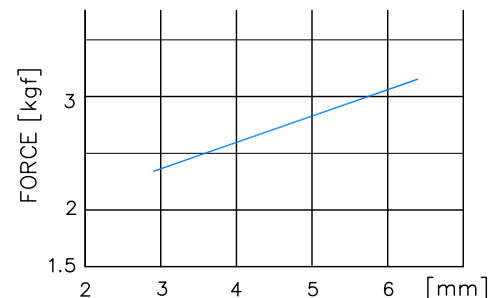
DIMENSIONS : mm

BASIC HEATSINK MODEL NUMBER	OVERALL HEIGHT [h]	BASIC HEATSINK WEIGHT (grams)	FEATURES
QLPL54-10B	10	27.6	LOW PRESSURE DROP HEATSINK. FOR LOW AIR FLOW OR NATURAL CONVECTION.
QLPL54-15B	15	32.7	
QLPL54-20B	20	37.8	
QLPL54-25B	25	42.9	
QLPL54-30B	30	48.0	
QLPL54-35B	35	53.1	

● PCB HOLE PATTERN & SUGGESTED KEEP-OUT AREA



● CLIP FORCE



ANCR-8 : CHIP HEIGHT + PCB THK + 3.0
 ANCR-11 : CHIP HEIGHT + PCB THK
 ANCR-13 : CHIP HEIGHT + PCB THK - 2.0
 ANCR-16 : CHIP HEIGHT + PCB THK - 5.0

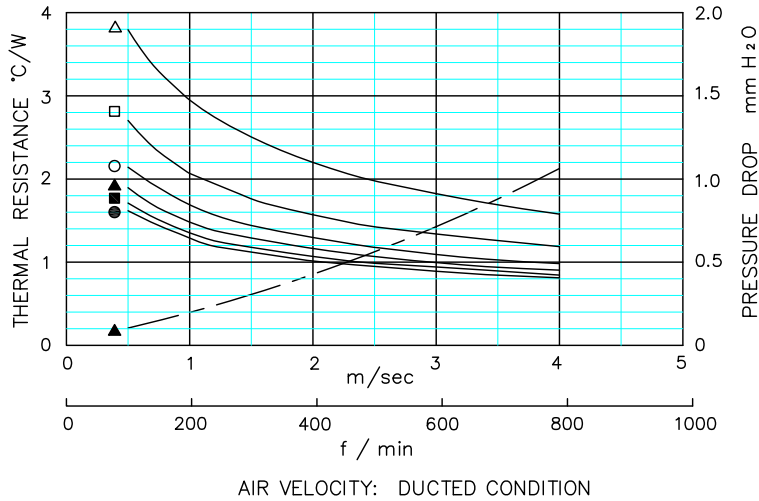
Alpha Company Ltd.

256-1 UEDA, NUMAZU-CITY SHIZUOKA-PREF., JAPAN
 PHONE +81(55)966 0789
 FAX +81(55)966 9192
 E mail : alpha@micforg.co.jp
 URL : http://www.micforg.co.jp

Alpha Novatech, Inc. - a subsidiary of Alpha Company.

473 Sapena Ct. #12 Santa Clara, CA 95054 USA
 PHONE +1(408)567-8082
 FAX +1(408)567-8053
 E mail : sales@alphanovatech.com
 URL : http://www.alphanovatech.com

DATA



- △ QLPL54-10B
- QLPL54-15B
- QLPL54-20B
- ▲ QLPL54-25B
- QLPL54-30B
- QLPL54-35B

- DUCTED CONDITION
- DUMMY HEATER SIZE: 12.7 SQ
- THERMAL RESISTANCE _____
- PRESURE DROP - - - - -
- BASED ON ALPHA'S STANDARD TEST PROCEDURE. REFER TO TECHNICAL INFORMATION.

REF



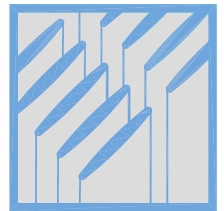
MODEL NAME INFORMATION
 TO BUILD PART NUMBER, PLEASE VISIT OUR WEBSITE www.micforg.co.jp OR CONTACT ALPHA SALES.

Alpha Company Ltd.

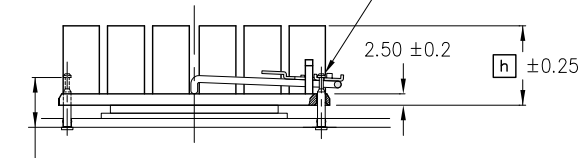
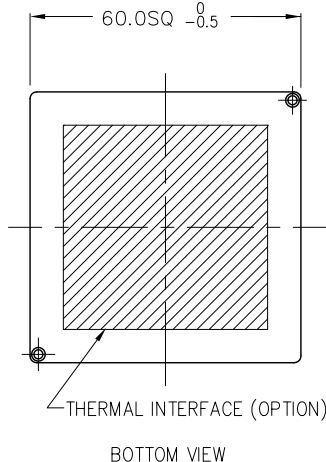
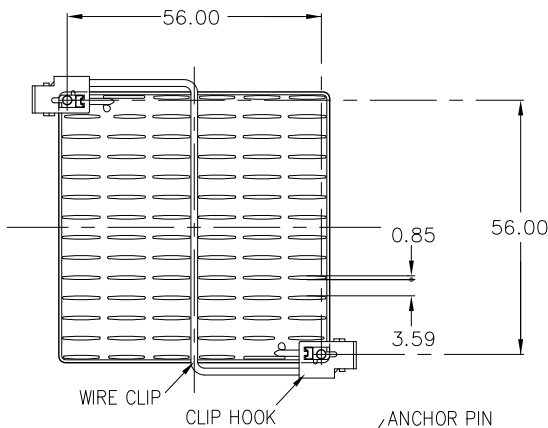
256-1 UEDA, NUMAZU-CITY SHIZUOKA-PREF., JAPAN
 PHONE +81(55)966 0789
 FAX +81(55)966 9192
 E mail : alpha@micforg.co.jp
 URL : <http://www.micforg.co.jp>

Alpha Novatech, Inc. - a subsidiary of Alpha Company.

473 Sapena Ct. #12 Santa Clara, CA 95054 USA
 PHONE +1(408)567-8082
 FAX +1(408)567-8053
 E mail : sales@alphanovatech.com
 URL : <http://www.alphanovatech.com>



DIM



- ANCHOR PIN LENGTH
- 8.00 = ANCR-8
 - 11.00 = ANCR-11
 - 13.00 = ANCR-13
 - 16.00 = ANCR-16

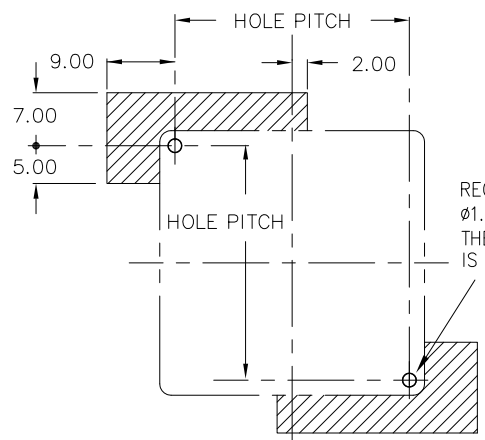
- MATERIAL
- HEATSINK : A6063 BLACK ANODIZE
 - WIRE CLIP : SW-C NICKEL PRECOATED
 - HOOK : STAINLESS STEEL 304
 - ANCHOR : STAINLESS STEEL 303

REFER TO [● CLIP FORCE] AND SELECT ANCHOR PIN

DIMENSIONS : mm

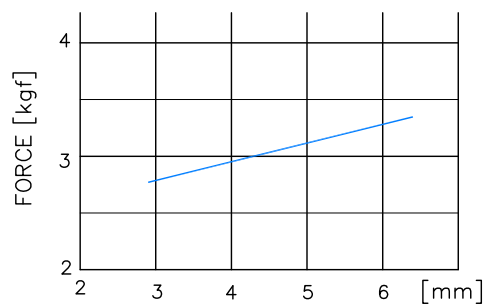
BASIC HEATSINK MODEL NUMBER	OVERALL HEIGHT [h]	BASIC HEATSINK WEIGHT (grams)	FEATURES
QLPL60-10B	10	34.8	LOW PRESSURE DROP HEATSINK. FOR LOW AIR FLOW OR NATURAL CONVECTION.
QLPL60-15B	15	41.0	
QLPL60-20B	20	47.2	
QLPL60-25B	25	53.4	
QLPL60-30B	30	59.5	
QLPL60-35B	35	65.6	

● PCB HOLE PATTERN & SUGGESTED KEEP-OUT AREA



RECOMMENDED PCB HOLE SIZE IS $\phi 1.80 \pm 0.05$ THRU. THE USE OF NON-PLATED HOLES IS RECOMMENDED.

● CLIP FORCE



- ANCR-8 : CHIP HEIGHT + PCB THK + 3.0
- ANCR-11 : CHIP HEIGHT + PCB THK
- ANCR-13 : CHIP HEIGHT + PCB THK - 2.0
- ANCR-16 : CHIP HEIGHT + PCB THK - 5.0

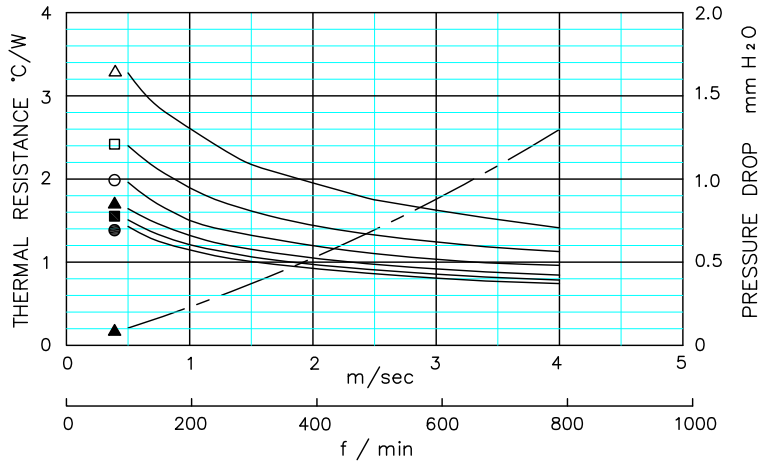
Alpha Company Ltd.

256-1 UEDA, NUMAZU-CITY SHIZUOKA-PREF., JAPAN
 PHONE +81(55)966 0789
 FAX +81(55)966 9192
 E mail : alpha@micforg.co.jp
 URL : http://www.micforg.co.jp

Alpha Novatech, Inc. - a subsidiary of Alpha Company.

473 Sapena Ct. #12 Santa Clara, CA 95054 USA
 PHONE +1(408)567-8082
 FAX +1(408)567-8053
 E mail : sales@alphanovatech.com
 URL : http://www.alphanovatech.com

DATA



- △ QLPL60-10B
- QLPL60-15B
- QLPL60-20B
- ▲ QLPL60-25B
- QLPL60-30B
- QLPL60-35B

● DUCTED CONDITION
 DUMMY HEATER SIZE: 12.7 SQ
 THERMAL RESISTANCE ———
 PRESURE DROP - - - - -

■ BASED ON ALPHA'S STANDARD TEST PROCEDURE. REFER TO TECHNICAL INFORMATION.

AIR VELOCITY: DUCTED CONDITION

REF



MODEL NAME INFORMATION
 TO BUILD PART NUMBER, PLEASE VISIT OUR WEBSITE www.micforg.co.jp OR CONTACT ALPHA SALES.

Alpha Company Ltd.

256-1 UEDA, NUMAZU-CITY SHIZUOKA-PREF., JAPAN
 PHONE +81(55)966 0789
 FAX +81(55)966 9192
 E mail : alpha@micforg.co.jp
 URL : <http://www.micforg.co.jp>

Alpha Novatech, Inc. - a subsidiary of Alpha Company.

473 Sapena Ct. #12 Santa Clara, CA 95054 USA
 PHONE +1(408)567-8082
 FAX +1(408)567-8053
 E mail : sales@alphanovatech.com
 URL : <http://www.alphanovatech.com>