

DCC Series

For DC-DC Converter

Quarter Bricks

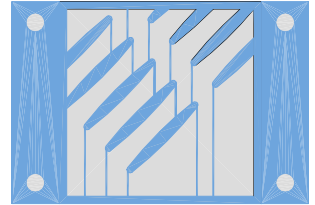
Half Bricks

ALPHA

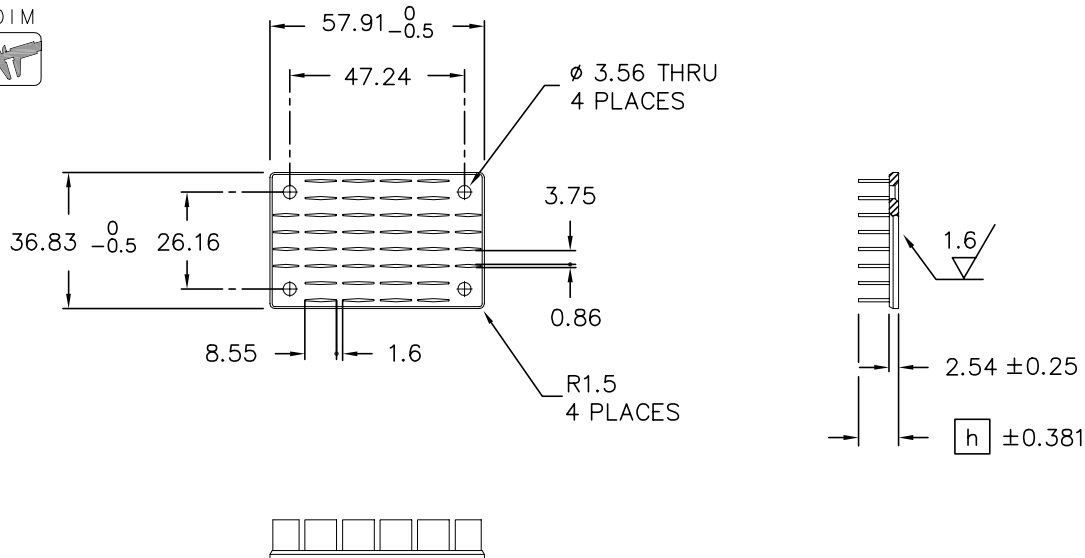
ALPHA

Quarter Bricks
Width 1.45"
Length 2.28"

DCC 3758 L



DIM

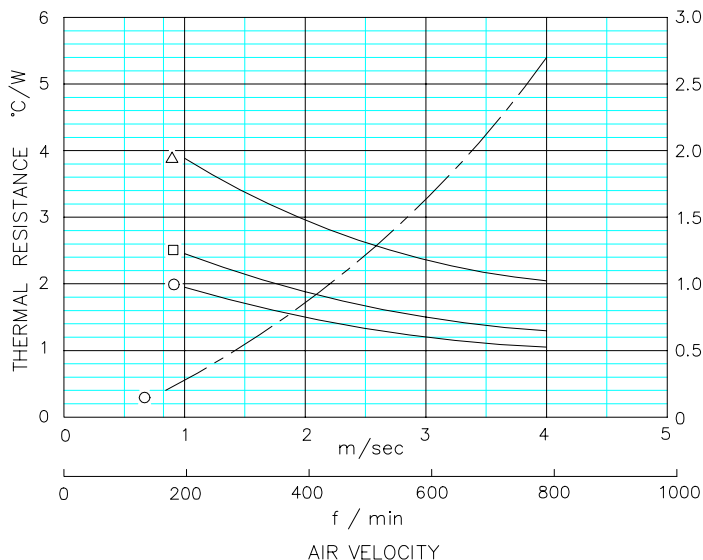


HEAT SINK
MATERIAL : A 6063
FINISH : BLACK ANODIZE

MODEL	HEIGHT h	WEIGHT (grams)
DCC3758L-11B	10.8	18.7
DCC3758L-18B	17.8	22.8
DCC3758L-23B	22.8	25.8

Dimensions : mm

DATA



- Thermal Resistance (Ducted)
(Solid Line ———)
- Pressure Drop
(Center Line - - - -)

- △ DCC3758L-11B
- DCC3758L-18B
- DCC3758L-23B

■ Based on Alpha's Standard Test Procedure. (Refer to page marked Technical Information.)
Dummy Heater Size: 35x56(mm)

Alpha Company Ltd.

256-1 UEDA, NUMAZU-CITY SHIZUOKA-PREF., JAPAN
PHONE +81(55)966 0789
FAX +81(55)966 9192
E mail : alpha@micforg.co.jp
URL : http://www.micforg.co.jp

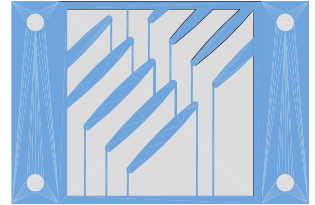
Alpha Novatech, Inc. - a subsidiary of Alpha Company.

473 Sapena Ct. #12 Santa Clara, CA 95054 USA
PHONE +1(408)567-8082
FAX +1(408)567-8053
E mail : sales@alphanovatech.com
URL : http://www.alphanovatech.com

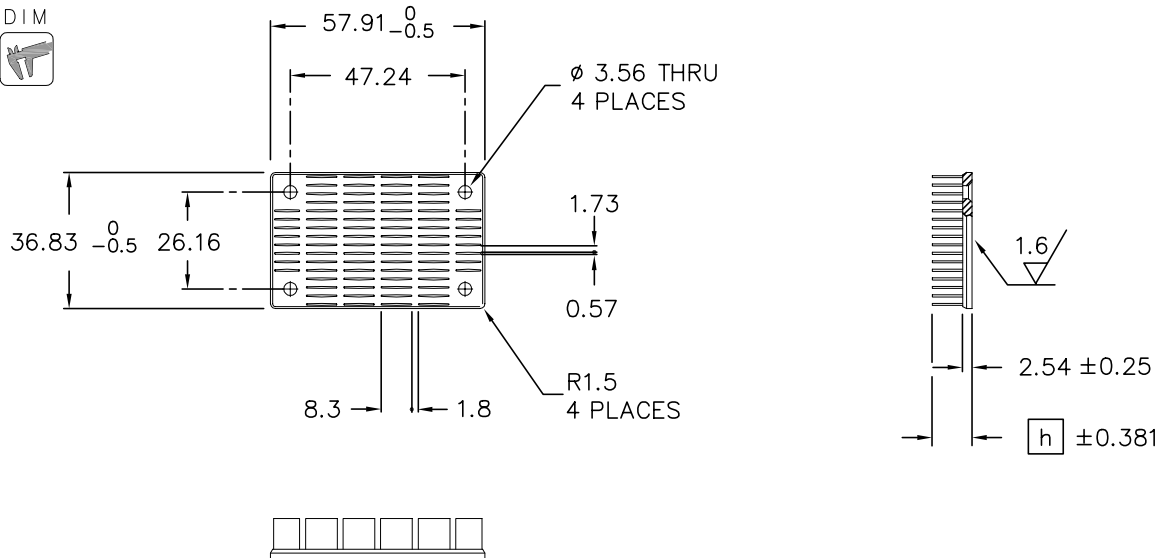
ALPHA

Quarter Bricks
Width 1.45"
Length 2.28"

DCC 3758 U



DIM

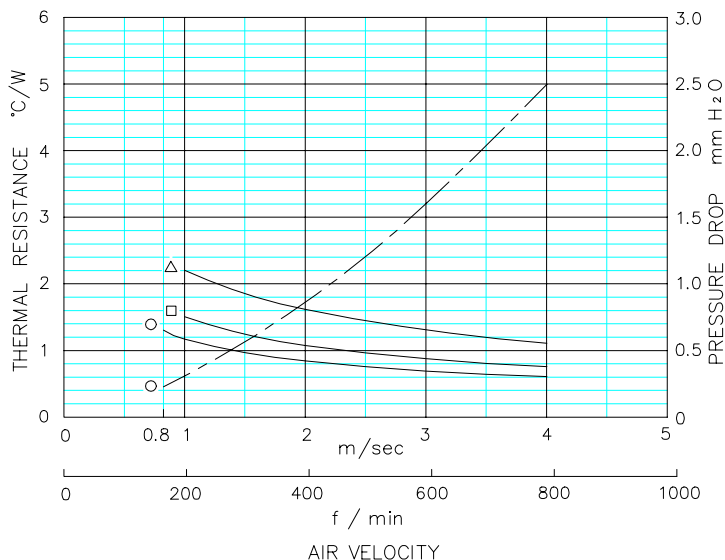


HEAT SINK
MATERIAL : A 6063
FINISH : BLACK ANODIZE

MODEL	HEIGHT h	WEIGHT (grams)
DCC3758U-11B	10.8	20.9
DCC3758U-18B	17.8	26.9
DCC3758U-23B	22.8	31.2

Dimensions : mm

DATA



Alpha Company Ltd.

256-1 UEDA, NUMAZU-CITY SHIZUOKA-PREF., JAPAN
PHONE +81(55)966 0789
FAX +81(55)966 9192
E mail : alpha@micforg.co.jp
URL : <http://www.micforg.co.jp>

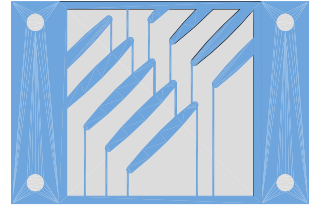
Alpha Novatech, Inc. - a subsidiary of Alpha Company.

473 Sapena Ct. #12 Santa Clara, CA 95054 USA
PHONE +1(408)567-8082
FAX +1(408)567-8053
E mail : sales@alphanovatech.com
URL : <http://www.alphanovatech.com>

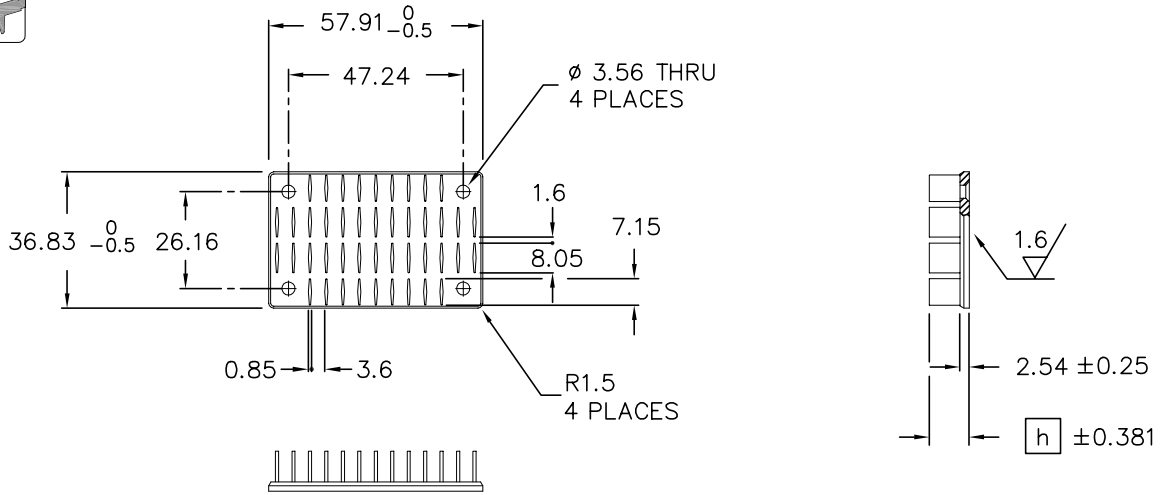
ALPHA

Quarter Bricks
Width 2.28"
Length 1.45"

DCC5837L



DIM

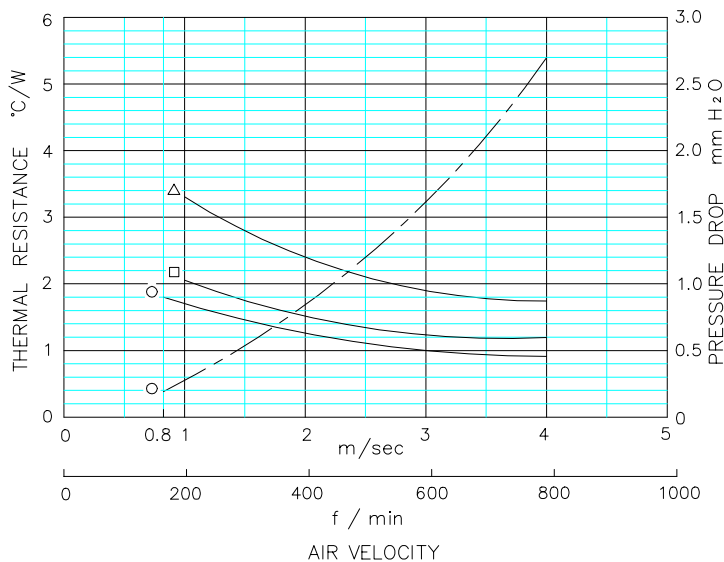


HEAT SINK
MATERIAL : A 6063
FINISH : BLACK ANODIZE

MODEL	HEIGHT h	WEIGHT (grams)
DCC5837L-11B	10.8	18.6
DCC5837L-18B	17.8	23.1
DCC5837L-23B	22.8	26.3

Dimensions : mm

DATA



Alpha Company Ltd.

256-1 UEDA, NUMAZU-CITY SHIZUOKA-PREF., JAPAN
PHONE +81(55)966 0789
FAX +81(55)966 9192
E mail : alpha@micforg.co.jp
URL : <http://www.micforg.co.jp>

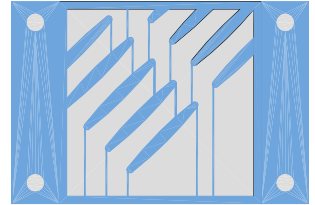
Alpha Novatech, Inc. - a subsidiary of Alpha Company.

473 Sapena Ct. #12 Santa Clara, CA 95054 USA
PHONE +1(408)567-8082
FAX +1(408)567-8053
E mail : sales@alphanovatech.com
URL : <http://www.alphanovatech.com>

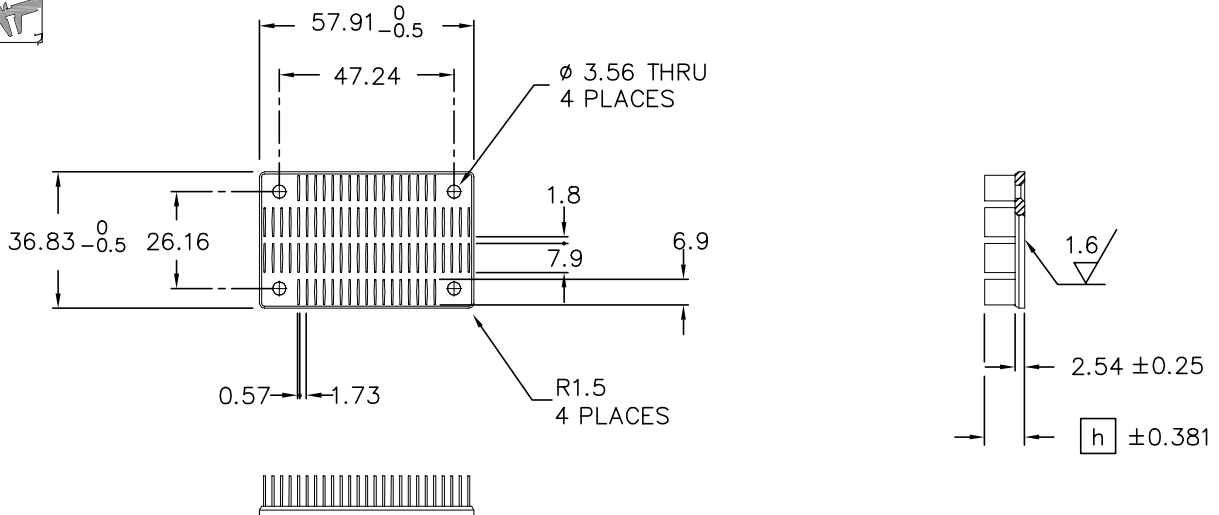
ALPHA

Quarter Bricks
Width 2.28"
Length 1.45"

DCC 5837 U



DIM

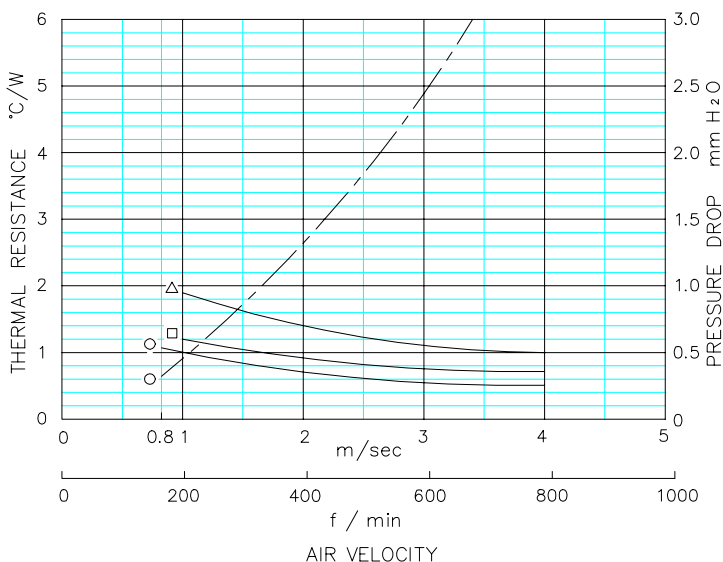


HEAT SINK
MATERIAL : A 6063
FINISH : BLACK ANODIZE

MODEL	HEIGHT h	WEIGHT (grams)
DCC5837U-11B	10.8	21.1
DCC5837U-18B	17.8	27.1
DCC5837U-23B	22.8	31.3

Dimensions : mm

DATA



- Thermal Resistance (Ducted) (Solid Line)
- Pressure Drop (Center Line - - -)
- △ DCC5837U-11B
- DCC5837U-18B
- DCC5837U-23B
- Based on Alpha's Standard Test Procedure. (Refer to page marked Technical Information.) Dummy Heater Size: 35x56(mm)

Alpha Company Ltd.

256-1 UEDA, NUMAZU-CITY SHIZUOKA-PREF., JAPAN
PHONE +81(55)966 0789
FAX +81(55)966 9192
E mail : alpha@micforg.co.jp
URL : http://www.micforg.co.jp

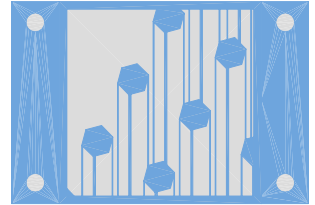
Alpha Novatech, Inc. - a subsidiary of Alpha Company.

473 Sapena Ct. #12 Santa Clara, CA 95054 USA
PHONE +1(408)567-8082
FAX +1(408)567-8053
E mail : sales@alphanovatech.com
URL : http://www.alphanovatech.com

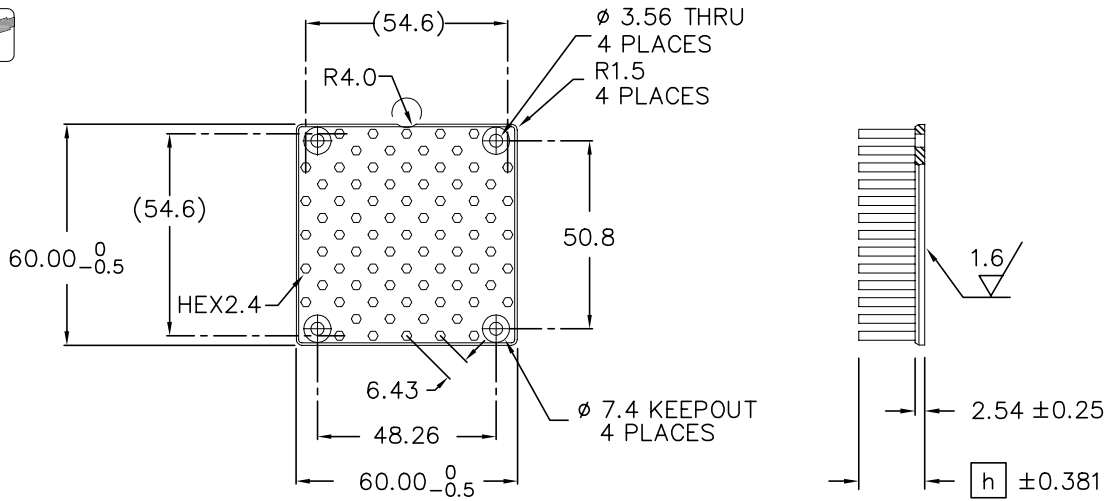
ALPHA

Half Bricks
Width 2.35"
Length 2.35"

DCC 60 N



DIM



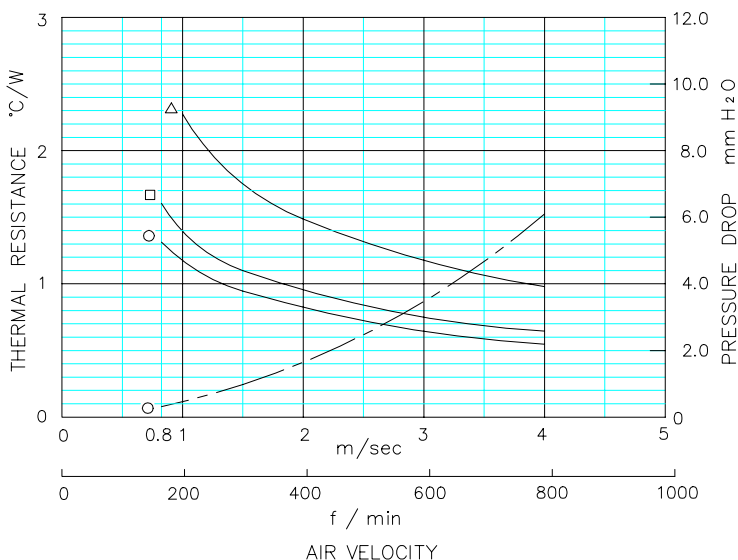
MODEL	HEIGHT h	WEIGHT (grams)
DCC60N-11B	10.8	33.1
DCC60N-18B	17.8	40.5
DCC60N-23B	22.8	45.8

HEAT SINK
MATERIAL : A 6063
FINISH : BLACK ANODIZE

FIN ARRANGEMENT MAY ROTATE 90 DEGREES.

Dimensions : mm

DATA



- Thermal Resistance (Ducted)
(Solid Line ———)
- Pressure Drop
(Center Line - - - -)
- △ DCC60N-11B
- DCC60N-18B
- DCC60N-23B

■ Based on Alpha's Standard Test Procedure. (Refer to page marked Technical Information.)
Dummy Heater Size: 55x58(mm)

Alpha Company Ltd.

256-1 UEDA, NUMAZU-CITY SHIZUOKA-PREF., JAPAN
PHONE +81(55)966 0789
FAX +81(55)966 9192
E mail : alpha@micforg.co.jp
URL : <http://www.micforg.co.jp>

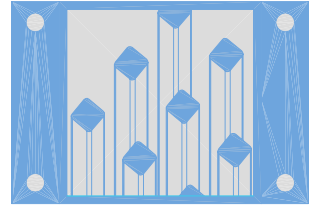
Alpha Novatech, Inc. - a subsidiary of Alpha Company.

473 Sapena Ct. #12 Santa Clara, CA 95054 USA
PHONE +1(408)567-8082
FAX +1(408)567-8053
E mail : sales@alphanovatech.com
URL : <http://www.alphanovatech.com>

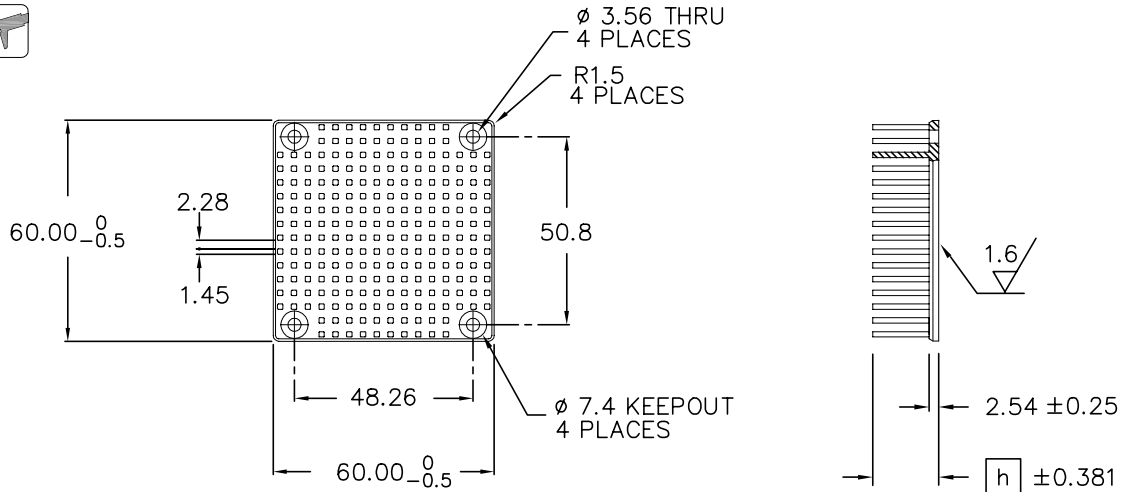
ALPHA

Half Bricks
Width 2.35"
Length 2.35"

DCC 60 S



DIM

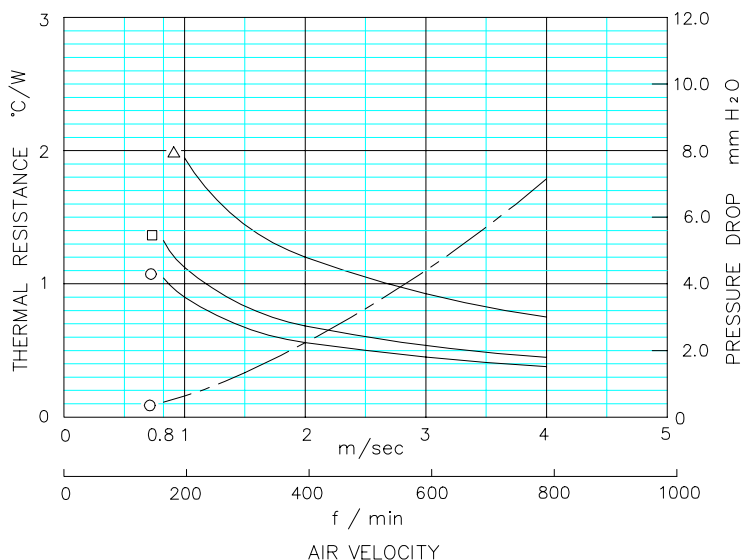


HEAT SINK
MATERIAL : A 6063
FINISH : BLACK ANODIZE

MODEL	HEIGHT h	WEIGHT (grams)
DCC60S-11B	10.8	35.2
DCC60S-18B	17.8	44.7
DCC60S-23B	22.8	51.4

Dimensions : mm

DATA



- Thermal Resistance (Ducted)
(Solid Line ———)
- Pressure Drop
(Center Line - - - -)

- △ DCC60S-11B
- DCC60S-18B
- DCC60S-23B

■ Based on Alpha's Standard Test Procedure. (Refer to page marked Technical Information.)
Dummy Heater Size: 55x58(mm)

Alpha Company Ltd.

256-1 UEDA, NUMAZU-CITY SHIZUOKA-PREF., JAPAN
PHONE +81(55)966 0789
FAX +81(55)966 9192
E mail : alpha@micforg.co.jp
URL : http://www.micforg.co.jp

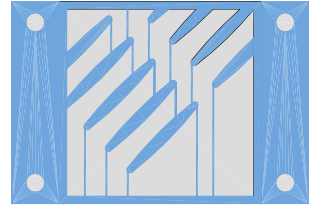
Alpha Novatech, Inc. - a subsidiary of Alpha Company.

473 Sapena Ct. #12 Santa Clara, CA 95054 USA
PHONE +1(408)567-8082
FAX +1(408)567-8053
E mail : sales@alphanovatech.com
URL : http://www.alphanovatech.com

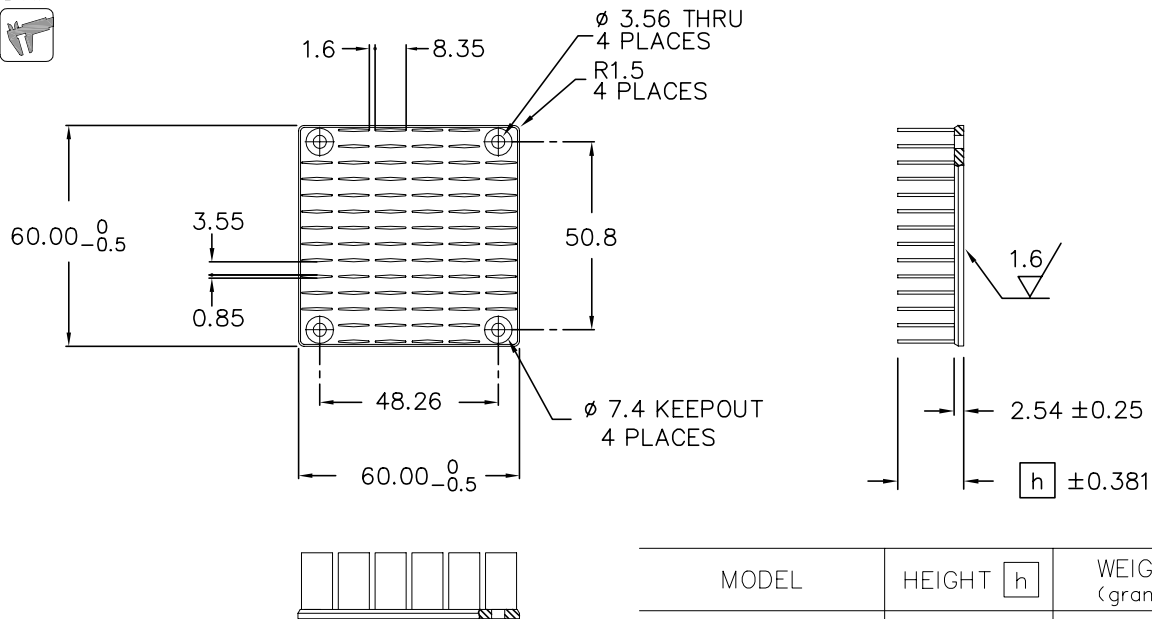
ALPHA

Half Bricks
Width 2.35"
Length 2.35"

DCC 60 L - H



DIM

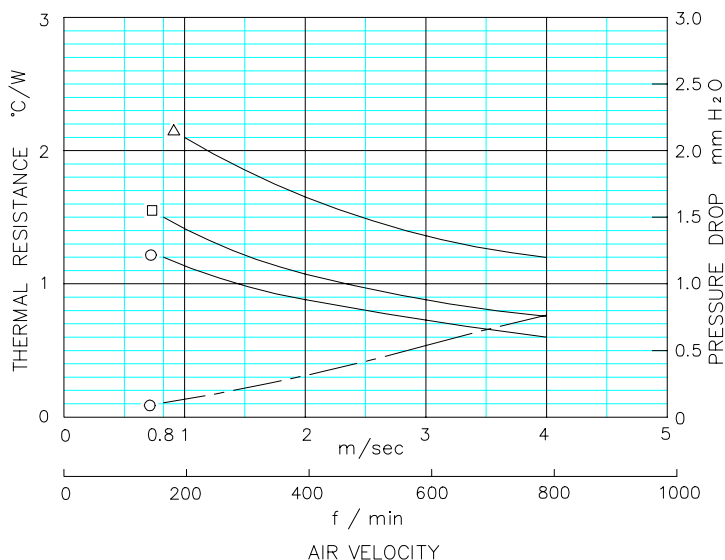


HEAT SINK
MATERIAL : A 6063
FINISH : BLACK ANODIZE

MODEL	HEIGHT h	WEIGHT (grams)
DCC60L-H11B	10.8	33.6
DCC60L-H18B	17.8	41.4
DCC60L-H23B	22.8	45.4

Dimensions : mm

DATA



- Thermal Resistance (Ducted)
(Solid Line —)
- Pressure Drop
(Center Line - - -)

- △ DCC60L-H11B
- DCC60L-H18B
- DCC60L-H23B

■ Based on Alpha's Standard Test Procedure. (Refer to page marked Technical Information.)
Dummy Heater Size: 55x58(mm)

Alpha Company Ltd.

256-1 UEDA, NUMAZU-CITY SHIZUOKA-PREF., JAPAN
PHONE +81(55)966 0789
FAX +81(55)966 9192
E mail : alpha@micforg.co.jp
URL : http://www.micforg.co.jp

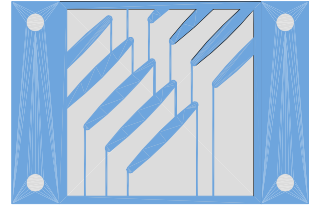
Alpha Novatech, Inc. - a subsidiary of Alpha Company.

473 Sapena Ct. #12 Santa Clara, CA 95054 USA
PHONE +1(408)567-8082
FAX +1(408)567-8053
E mail : sales@alphanovatech.com
URL : http://www.alphanovatech.com

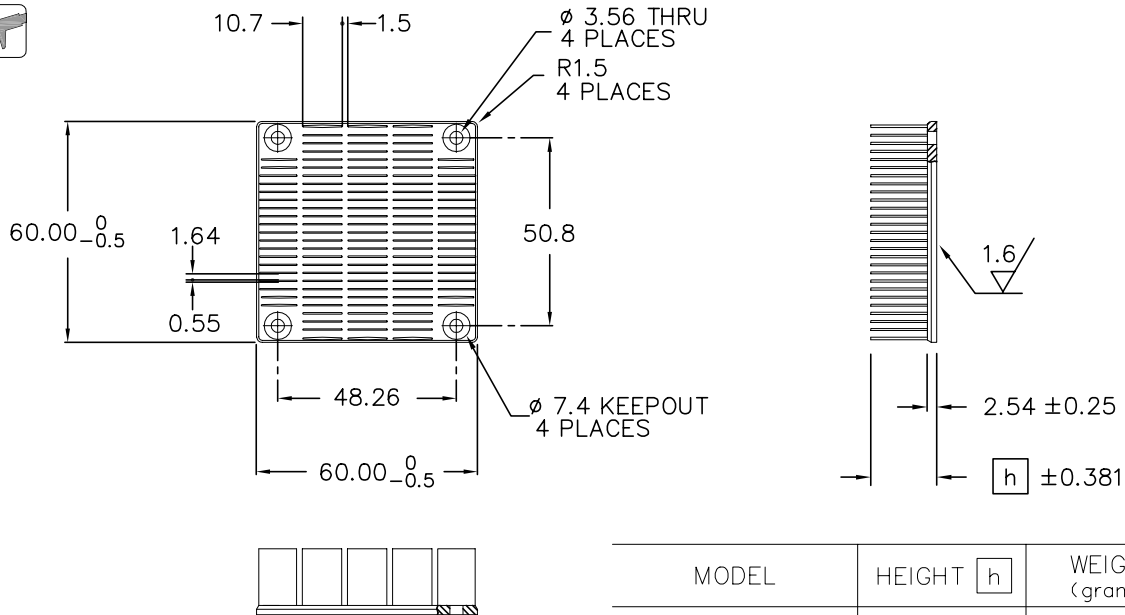
ALPHA

Half Bricks
Width 2.35"
Length 2.35"

DCC60U-H



DIM

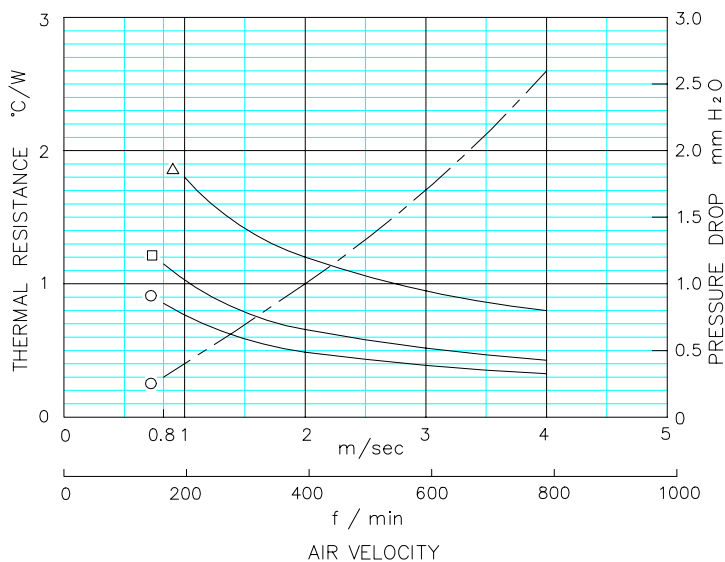


HEAT SINK
MATERIAL : A 6063
FINISH : BLACK ANODIZE

MODEL	HEIGHT h	WEIGHT (grams)
DCC60U-H11B	10.8	37.0
DCC60U-H18B	17.8	51.1
DCC60U-H23B	22.8	58.5

Dimensions : mm

DATA



- Thermal Resistance (Ducted)
(Solid Line ———)
- Pressure Drop
(Center Line - - - -)

- △ DCC60U-H11B
- DCC60U-H18B
- DCC60U-H23B

■ Based on Alpha's Standard Test Procedure. (Refer to page marked Technical Information.)
Dummy Heater Size: 55x58(mm)

Alpha Company Ltd.

256-1 UEDA, NUMAZU-CITY SHIZUOKA-PREF., JAPAN
PHONE +81(55)966 0789
FAX +81(55)966 9192
E mail : alpha@micforg.co.jp
URL : <http://www.micforg.co.jp>

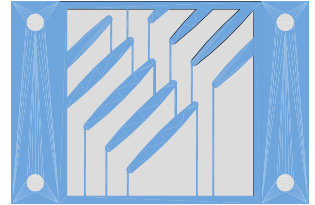
Alpha Novatech, Inc. - a subsidiary of Alpha Company.

473 Sapena Ct. #12 Santa Clara, CA 95054 USA
PHONE +1(408)567-8082
FAX +1(408)567-8053
E mail : sales@alphanovatech.com
URL : <http://www.alphanovatech.com>

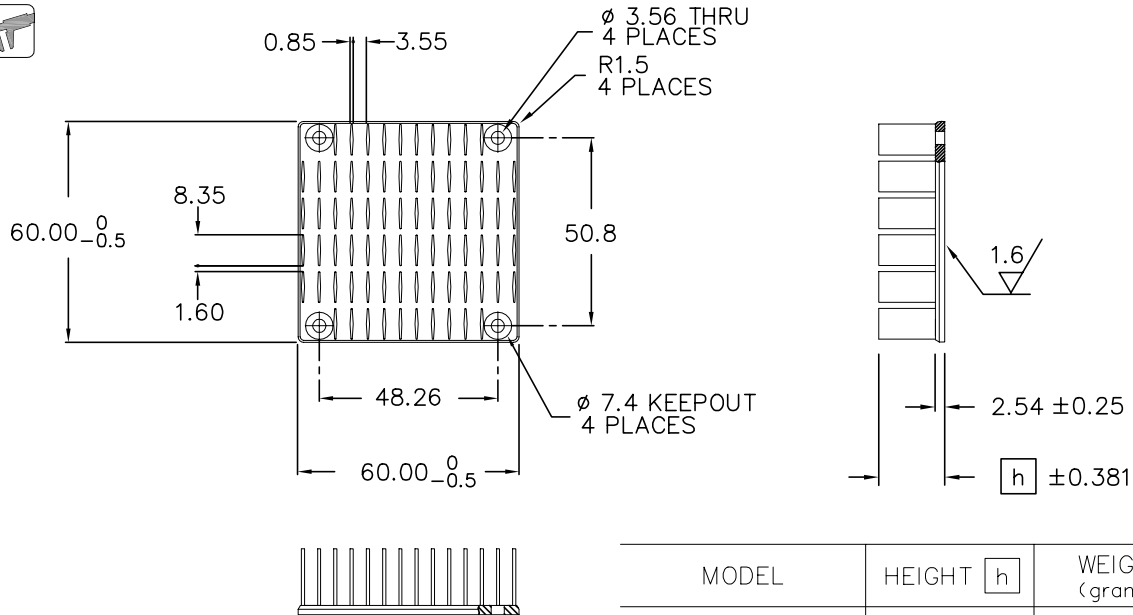
ALPHA

Half Bricks
Width 2.35"
Length 2.35"

DCC60L-V



DIM

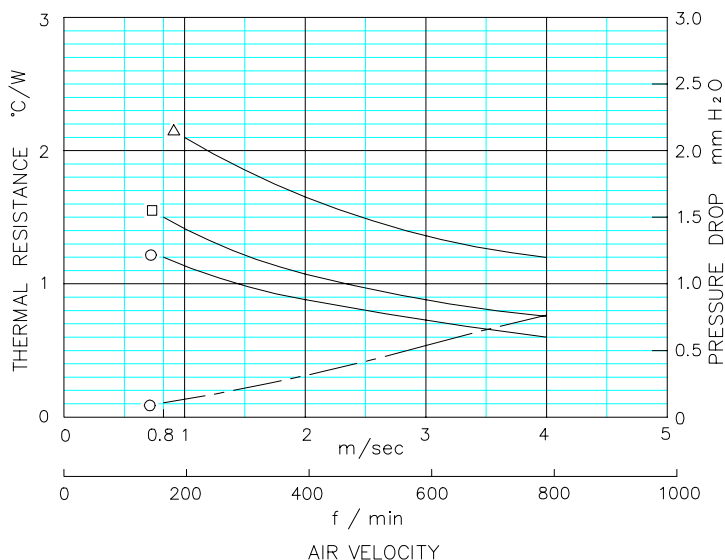


HEAT SINK
MATERIAL : A 6063
FINISH : BLACK ANODIZE

MODEL	HEIGHT h	WEIGHT (grams)
DCC60L-V11B	10.8	33.6
DCC60L-V18B	17.8	41.4
DCC60L-V23B	22.8	45.4

Dimensions : mm

DATA



Alpha Company Ltd.

256-1 UEDA, NUMAZU-CITY SHIZUOKA-PREF., JAPAN
PHONE +81(55)966 0789
FAX +81(55)966 9192
E mail : alpha@micforg.co.jp
URL : http://www.micforg.co.jp

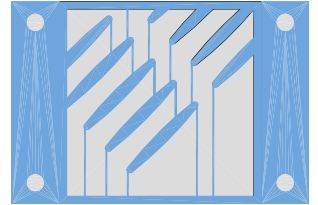
Alpha Novatech, Inc. - a subsidiary of Alpha Company.

473 Sapena Ct. #12 Santa Clara, CA 95054 USA
PHONE +1(408)567-8082
FAX +1(408)567-8053
E mail : sales@alphanovatech.com
URL : http://www.alphanovatech.com

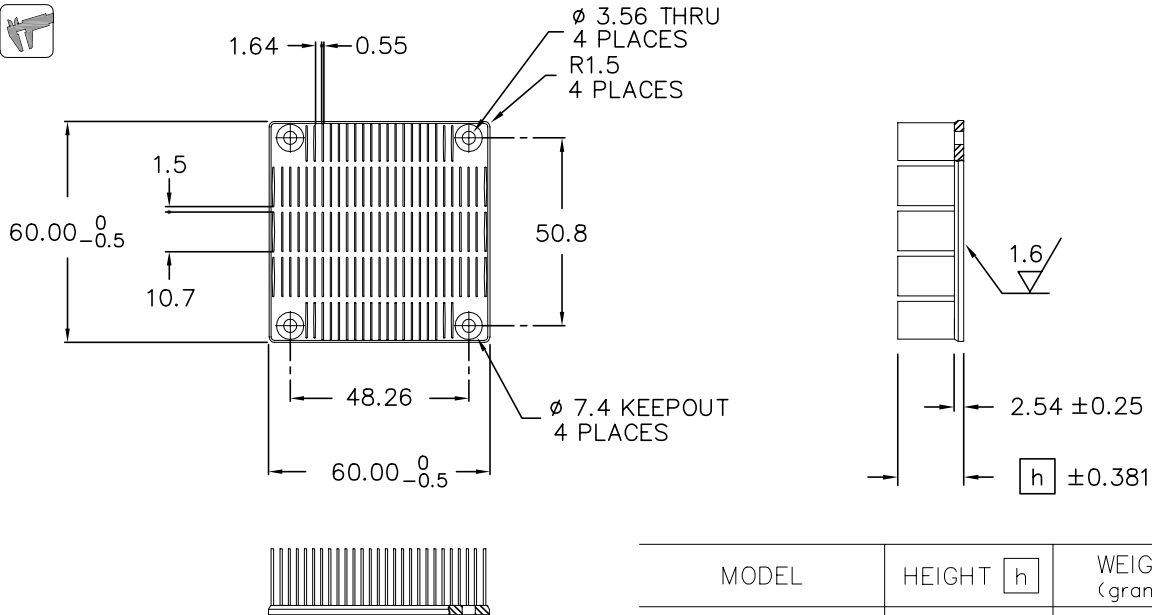
ALPHA

Half Bricks
Width 2.35"
Length 2.35"

DCC 60U - V



DIM

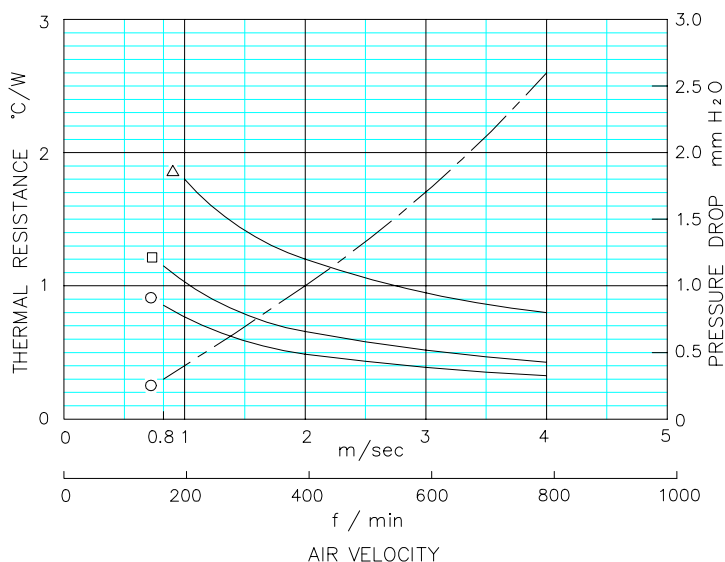


HEAT SINK
MATERIAL : A 6063
FINISH : BLACK ANODIZE

MODEL	HEIGHT h	WEIGHT (grams)
DCC60U-V11B	10.8	37.0
DCC60U-V18B	17.8	51.1
DCC60U-V23B	22.8	58.5

Dimensions : mm

DATA



Alpha Company Ltd.

256-1 UEDA, NUMAZU-CITY SHIZUOKA-PREF., JAPAN
PHONE +81(55)966 0789
FAX +81(55)966 9192
E mail : alpha@micforg.co.jp
URL : http://www.micforg.co.jp

Alpha Novatech, Inc. - a subsidiary of Alpha Company.

473 Sapena Ct. #12 Santa Clara, CA 95054 USA
PHONE +1(408)567-8082
FAX +1(408)567-8053
E mail : sales@alphanovatech.com
URL : http://www.alphanovatech.com